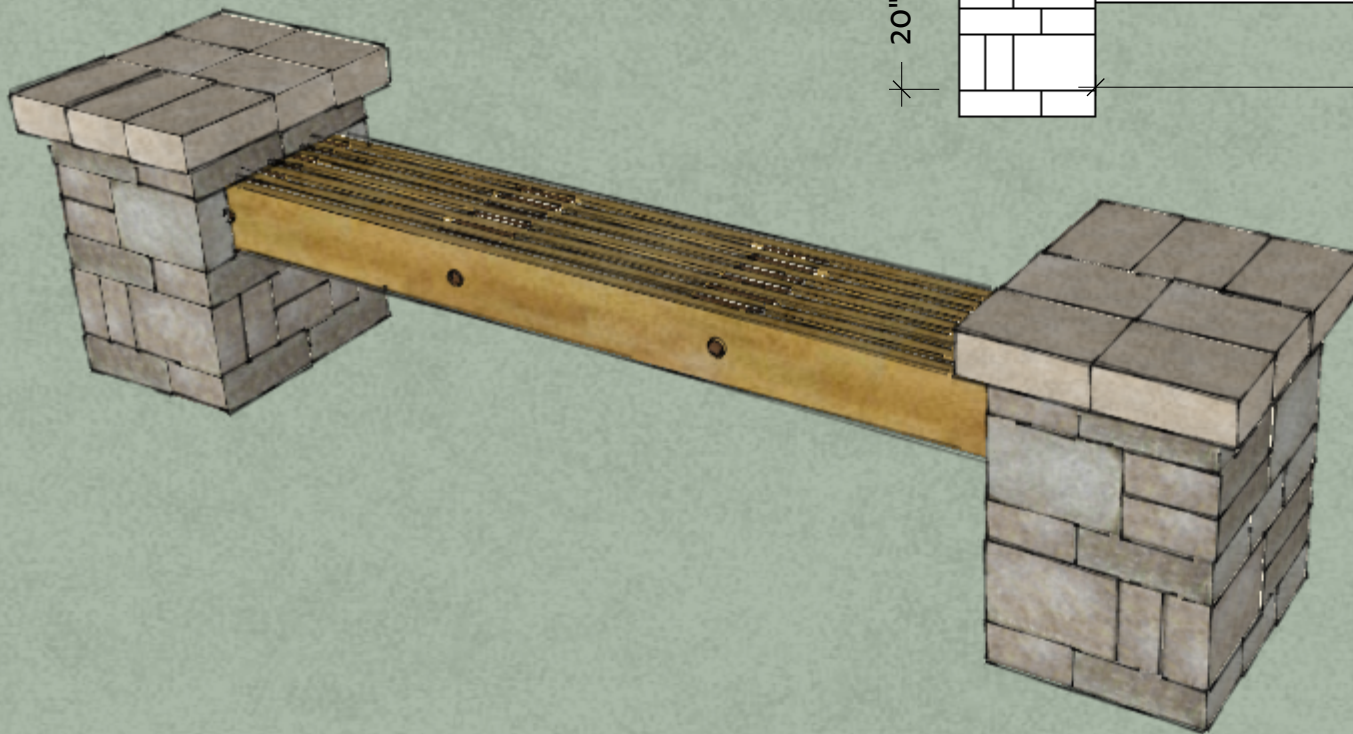
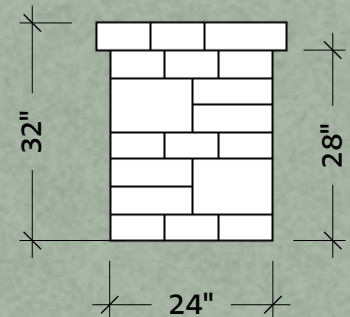
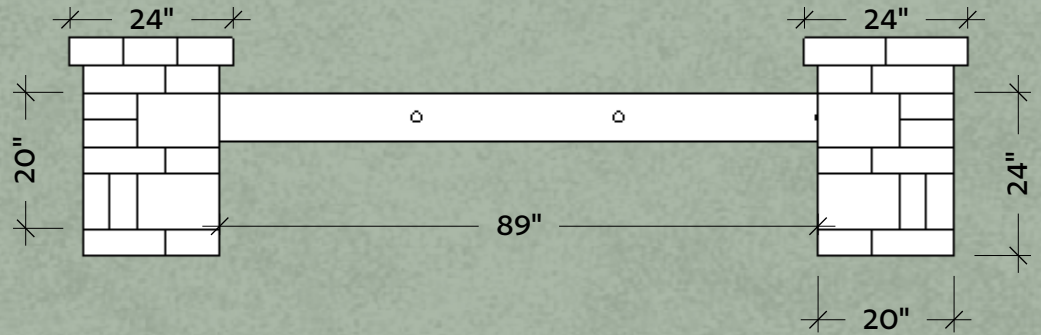
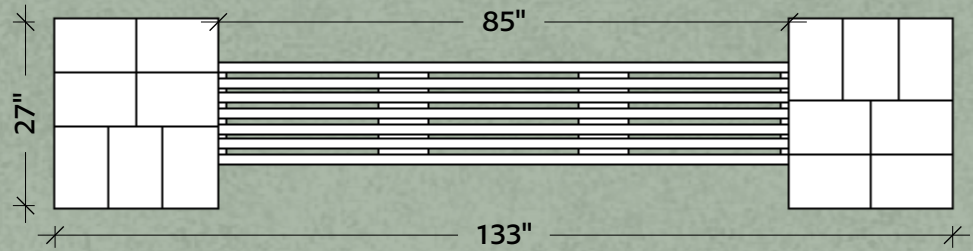


SBW-2024

Garden Bench

DUNCAN-RIDGE



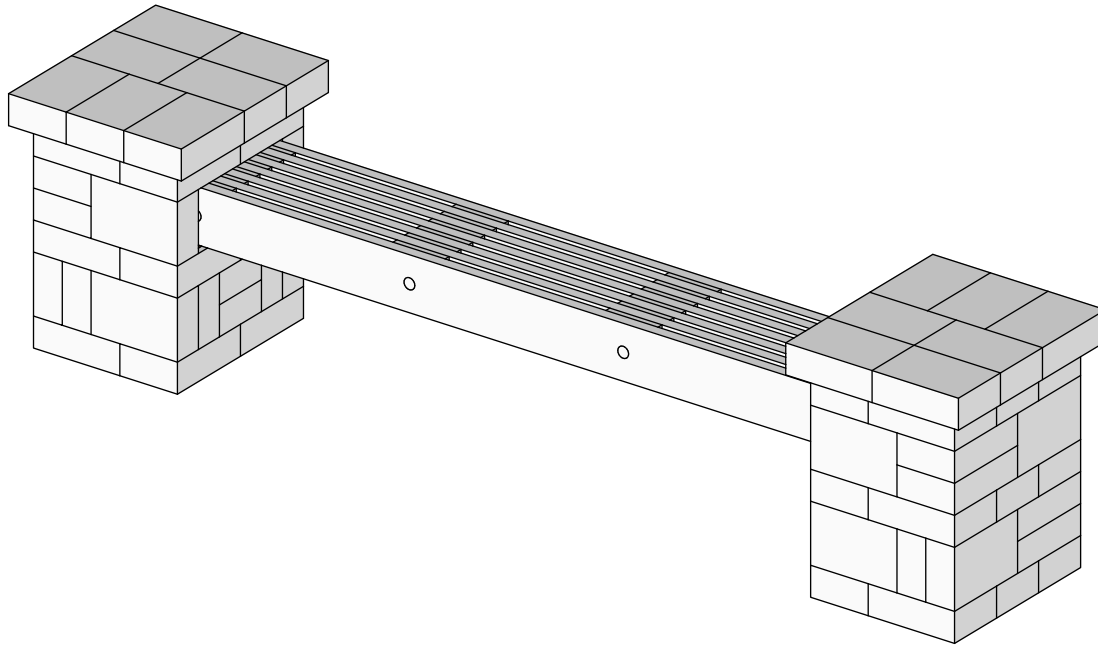
Dakota Stone™

Step by step instructions for assembling SBW-2024 on a prepared surface/base.

**BUILD WITH
DAKOTA**

All sizes in this document are approximate.

This set of instructions assumes you are building on a level grade on a level foundation.



Materials Needed:

- 70 Dakota Stone™ (4x8x12)
- 6 Tubes Adhesive
- 7 2x8x8 Treated Lumber
- 2 1x8x8 Treated Lumber
- 1 lb 4" Wood Deck Screws
- 1 1 1/2" Dowel Rod
- 1 1x4 Treated scrap - 3'
- 1 Bottle Wood Glue

Tools Needed:

- Dead Blow Hammer
- Caulk Gun
- 2 Foot Level Torpedo
- Level Square
- Drill
- Forstner bit - 1 1/2"
- Lumber saw

When constructing your kit, be sure to keep all blocks level, square, and plumb. Use a four foot level and check often. Starting on a level foundation is key. When gluing blocks together, be sure not to use too much adhesive - this will cause the blocks to "swim." A small bead is ideal.

Dakota Stone™

**BUILD WITH
DAKOTA**

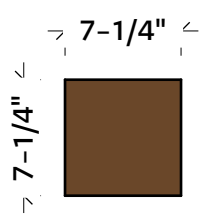
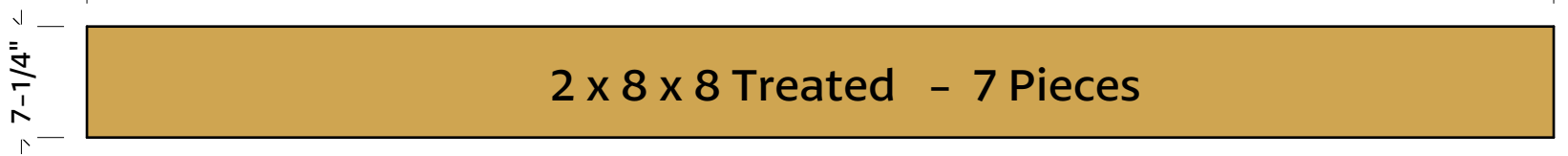
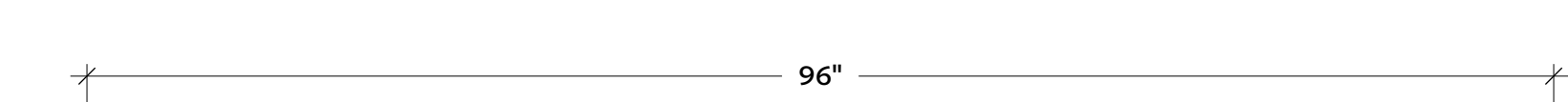
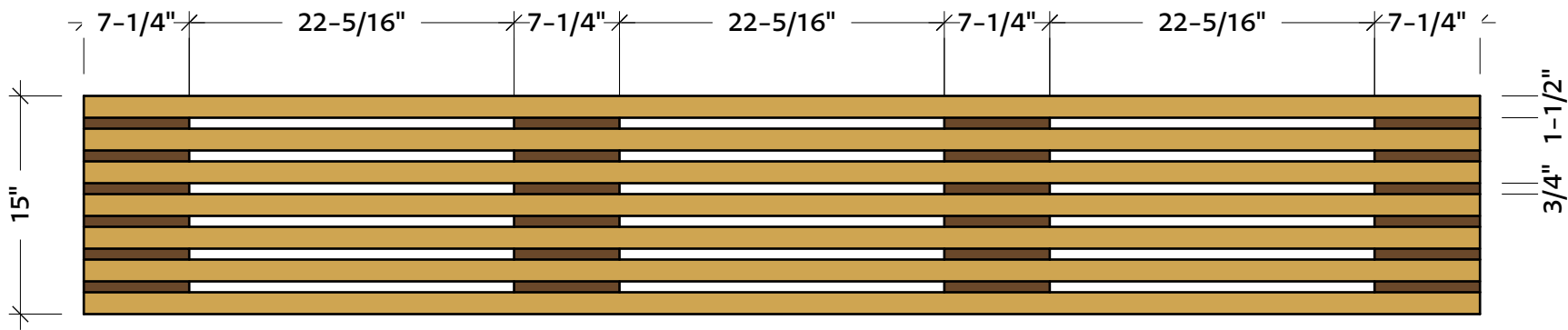
SBW-2024

Garden Bench

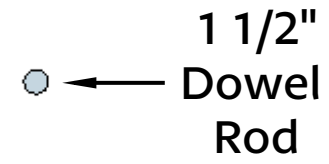
REVISIONS

	MM/DD/YY	REMARKS
1	06/04/15	2 SKU and QR update
2	--/--/--	...
3	--/--/--	...
4	--/--/--	...
5	--/--/--	...

INFO



24 pieces cut from 1 x 8 x 8 Treated - 2 Pieces



When constructing your kit, be sure to keep all blocks level, square, and plumb. Use a four foot level and check often. Starting on a level foundation is key. When gluing blocks together, be sure not to use too much adhesive - this will cause the blocks to "swim." A small bead is ideal.

Dakota Stone™

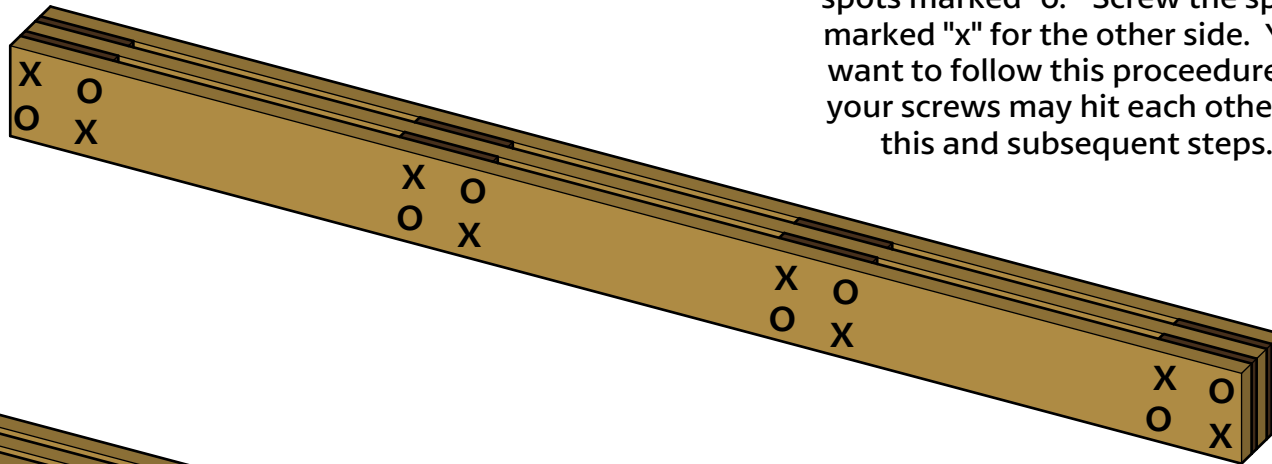
BUILD WITH DAKOTA

SBW-2024
Garden Bench

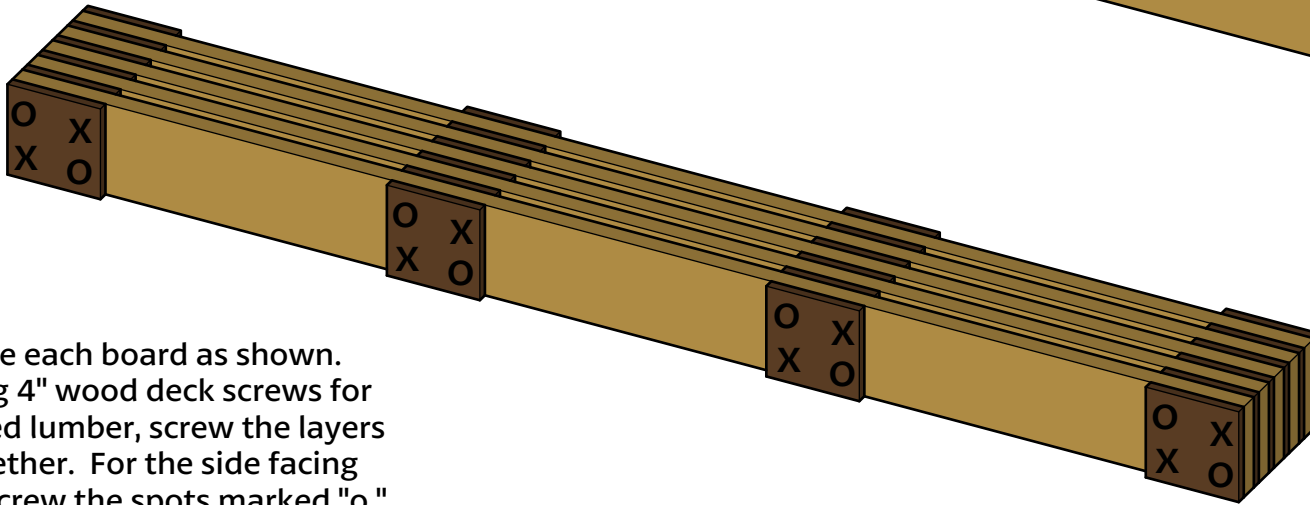
REVISIONS		
	MM/DD/YY	REMARKS
1	06/04/15	2 SKU and QR update
2	--/--/--	...
3	--/--/--	...
4	--/--/--	...
5	--/--/--	...

01

Glue each board as shown. Using 4" wood deck screws for treated lumber, screw the layers together. For the side facing you, screw the spots marked "o." Screw the spots marked "x" for the other side. You want to follow this procedure or your screws may hit each other in this and subsequent steps.



Glue each board as shown. Using 4" wood deck screws for treated lumber, screw the layers together. For the side facing you, screw the spots marked "o." Screw the spots marked "x" for the other side. Note the screws are in the opposite corner from the previous step.



When constructing your kit, be sure to keep all blocks level, square, and plumb. Use a four foot level and check often. Starting on a level foundation is key. When gluing blocks together, be sure not to use too much adhesive - this will cause the blocks to "swim." A small bead is ideal.

Dakota Stone™

**BUILD WITH
DAKOTA**

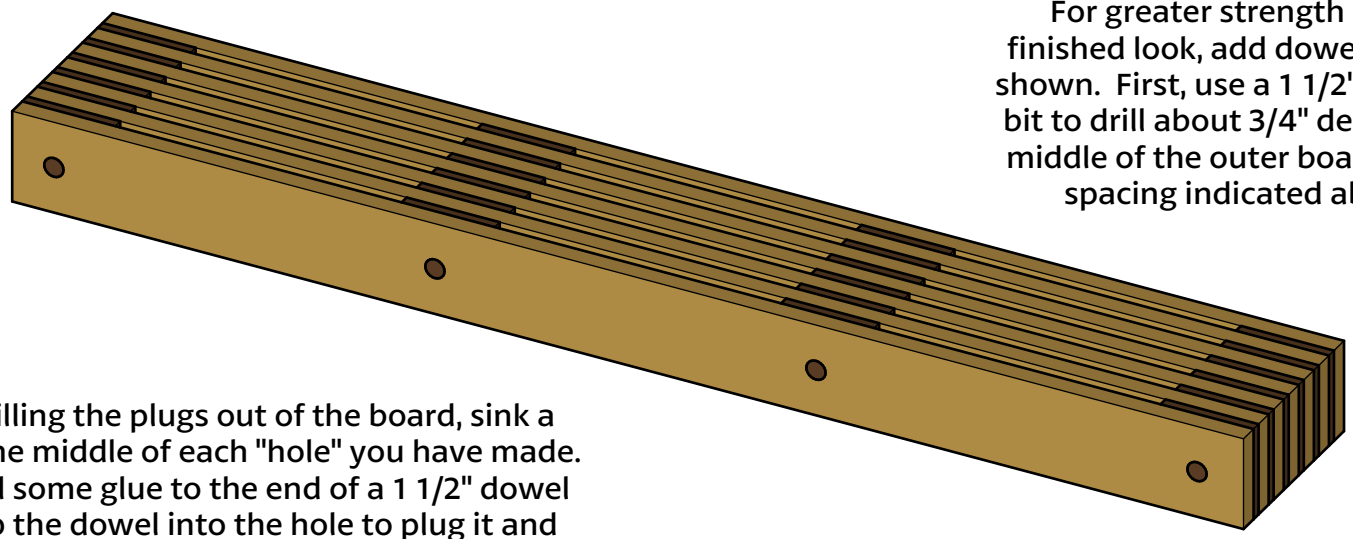
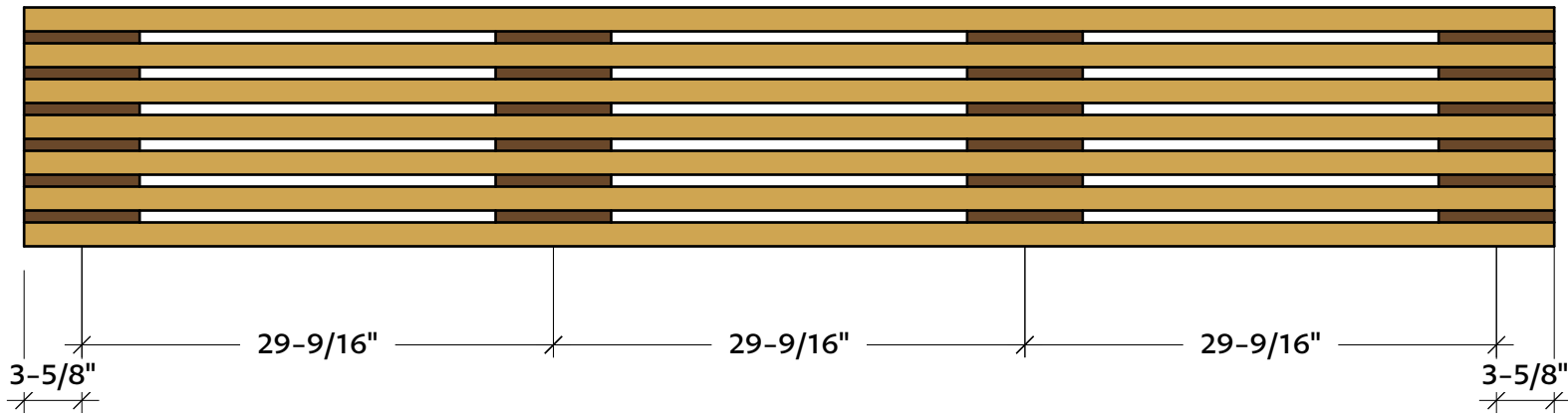
SBW-2024

Garden Bench

REVISIONS

	MM/DD/YY	REMARKS
1	06/04/15	2 SKU and QR update
2	--/--/--	...
3	--/--/--	...
4	--/--/--	...
5	--/--/--	...

02



Glue the last 2x8 to the bench slab. This will hide all the screws.
 For greater strength and a finished look, add dowel rods as shown. First, use a 1 1/2" Forstner bit to drill about 3/4" deep in the middle of the outer board at the spacing indicated above.

After drilling the plugs out of the board, sink a screw in the middle of each "hole" you have made. Now, add some glue to the end of a 1 1/2" dowel rod. Tap the dowel into the hole to plug it and cover the screw. Saw the dowel flush with the board. Do this on both sides at every spacer.

When constructing your kit, be sure to keep all blocks level, square, and plumb. Use a four foot level and check often. Starting on a level foundation is key. When gluing blocks together, be sure not to use too much adhesive - this will cause the blocks to "swim." A small bead is ideal.

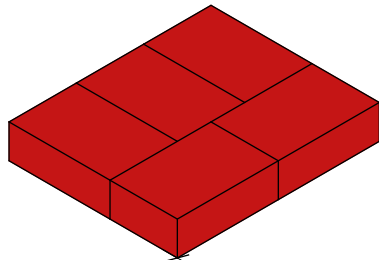
Dakota Stone™

**BUILD WITH
 DAKOTA**

SBW-2024
 Garden Bench

REVISIONS		
	MM/DD/YY	REMARKS
1	06/04/15	2 SKU and QR update
2	--/--/--	...
3	--/--/--	...
4	--/--/--	...
5	--/--/--	...

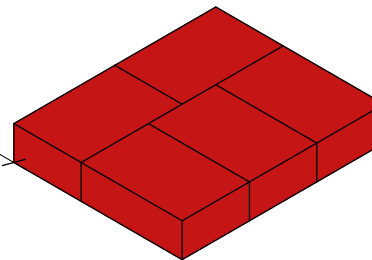
03



Lay out the first course of your couch. This is the "foundation" on which you will build your Garden Bench. Take time to make sure it is as perfect as possible. Be sure this course is level and square. Any mistakes made here will continue to show up as you build. Be sure to keep each side at the same level.

The bench is 96" long, by spacing the piers 89" apart, you will have 1" wiggle room for your bench. See page 9.

89"



These instructions are for building in your lawn. Therefore you should bury the entire first course. Do not bury less than 2" or your bench will be too tall.

If you are building on top of a patio or slab skip this step and start at the next course. This will ensure your bench is at the proper height.

When constructing your kit, be sure to keep all blocks level, square, and plumb. Use a four foot level and check often. Starting on a level foundation is key. When gluing blocks together, be sure not to use too much adhesive - this will cause the blocks to "swim." A small bead is ideal.

Dakota Stone™

BUILD WITH DAKOTA

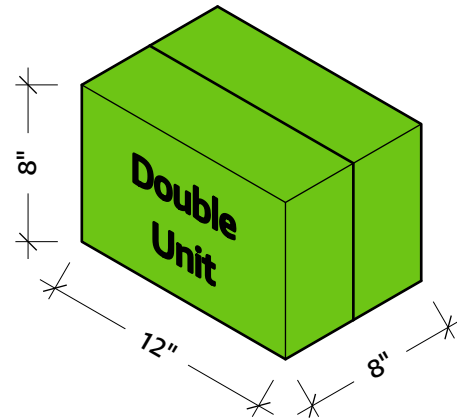
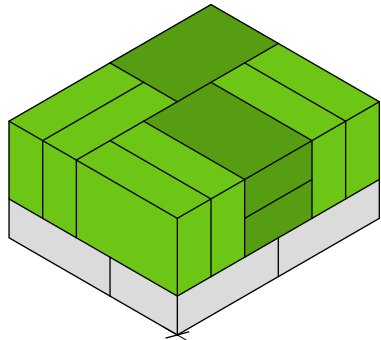
SBW-2024

Garden Bench

REVISIONS

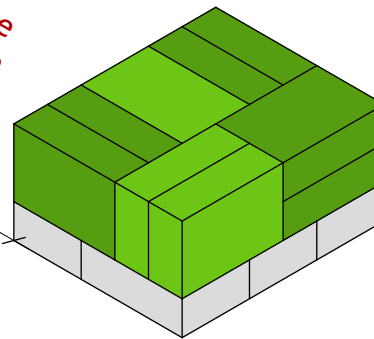
	MM/DD/YY	REMARKS
1	06/04/15	2 SKU and QR update
2	--/--/--	...
3	--/--/--	...
4	--/--/--	...
5	--/--/--	...

04



The bench is 96" long, by spacing the piers 89" apart, you will have 1" wiggle room for your bench. See page 9.

89"



If you are building on top of a patio or slab start on this course. This will ensure your bench is at the proper height.

When constructing your kit, be sure to keep all blocks level, square, and plumb. Use a four foot level and check often. Starting on a level foundation is key. When gluing blocks together, be sure not to use too much adhesive - this will cause the blocks to "swim." A small bead is ideal.

Dakota Stone™

**BUILD WITH
DAKOTA**

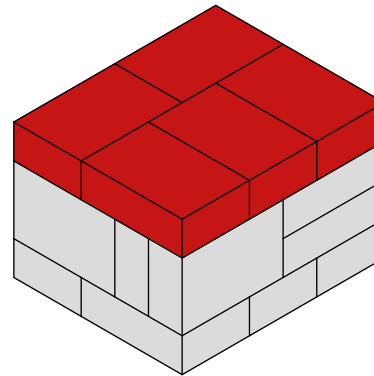
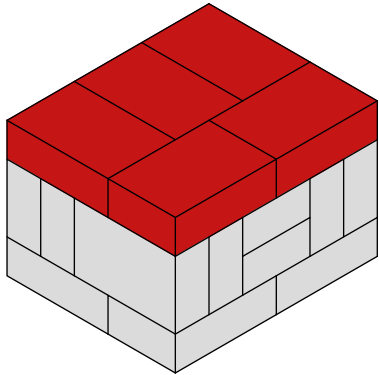
SBW-2024

Garden Bench

REVISIONS

	MM/DD/YY	REMARKS
1	06/04/15	2 SKU and QR update
2	--/--/--	...
3	--/--/--	...
4	--/--/--	...
5	--/--/--	...

05



When constructing your kit, be sure to keep all blocks level, square, and plumb. Use a four foot level and check often. Starting on a level foundation is key. When gluing blocks together, be sure not to use too much adhesive - this will cause the blocks to "swim." A small bead is ideal.

Dakota Stone™

**BUILD WITH
DAKOTA**

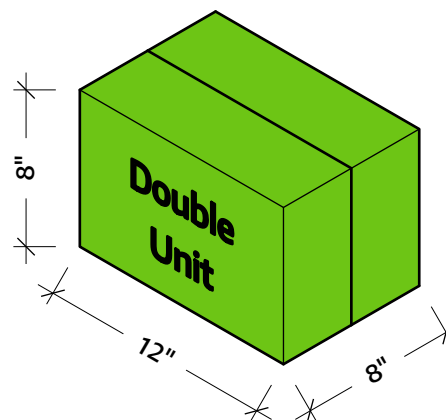
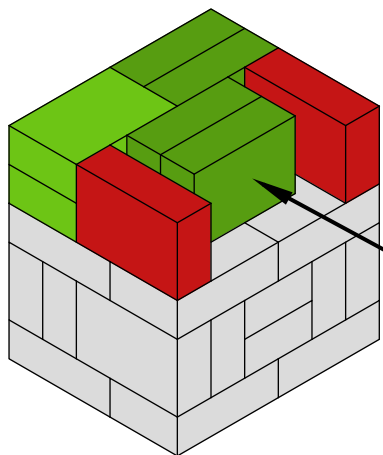
SBW-2024

Garden Bench

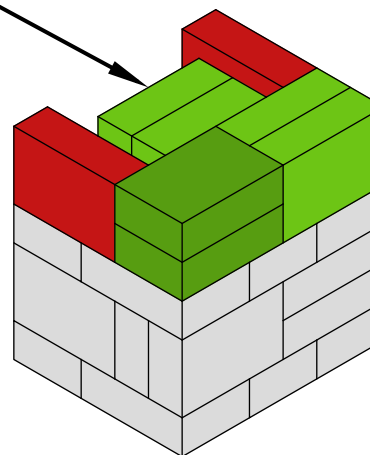
REVISIONS

	MM/DD/YY	REMARKS
1	06/04/15	2 SKU and QR update
2	--/--/--	...
3	--/--/--	...
4	--/--/--	...
5	--/--/--	...

06



Center these double units



When constructing your kit, be sure to keep all blocks level, square, and plumb. Use a four foot level and check often. Starting on a level foundation is key. When gluing blocks together, be sure not to use too much adhesive - this will cause the blocks to "swim." A small bead is ideal.

Dakota Stone™

**BUILD WITH
DAKOTA**

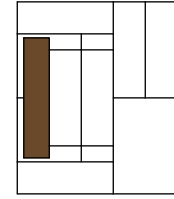
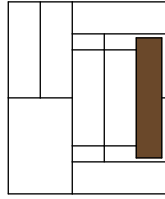
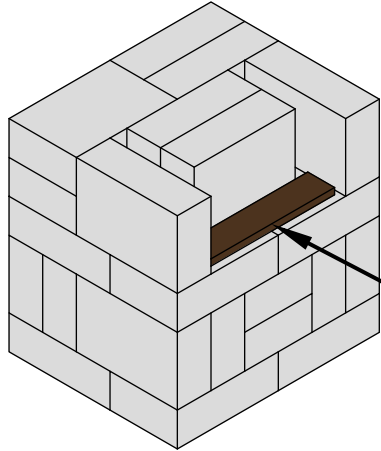
SBW-2024

Garden Bench

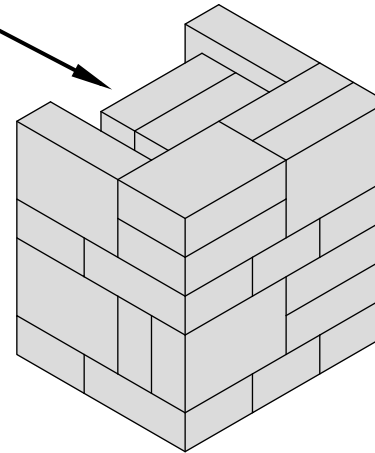
REVISIONS

	MM/DD/YY	REMARKS
1	06/04/15	2 SKU and QR update
2	--/--/--	...
3	--/--/--	...
4	--/--/--	...
5	--/--/--	...

07



Add a 1x4 spacer.



When constructing your kit, be sure to keep all blocks level, square, and plumb. Use a four foot level and check often. Starting on a level foundation is key. When gluing blocks together, be sure not to use too much adhesive - this will cause the blocks to "swim." A small bead is ideal.

Dakota Stone™

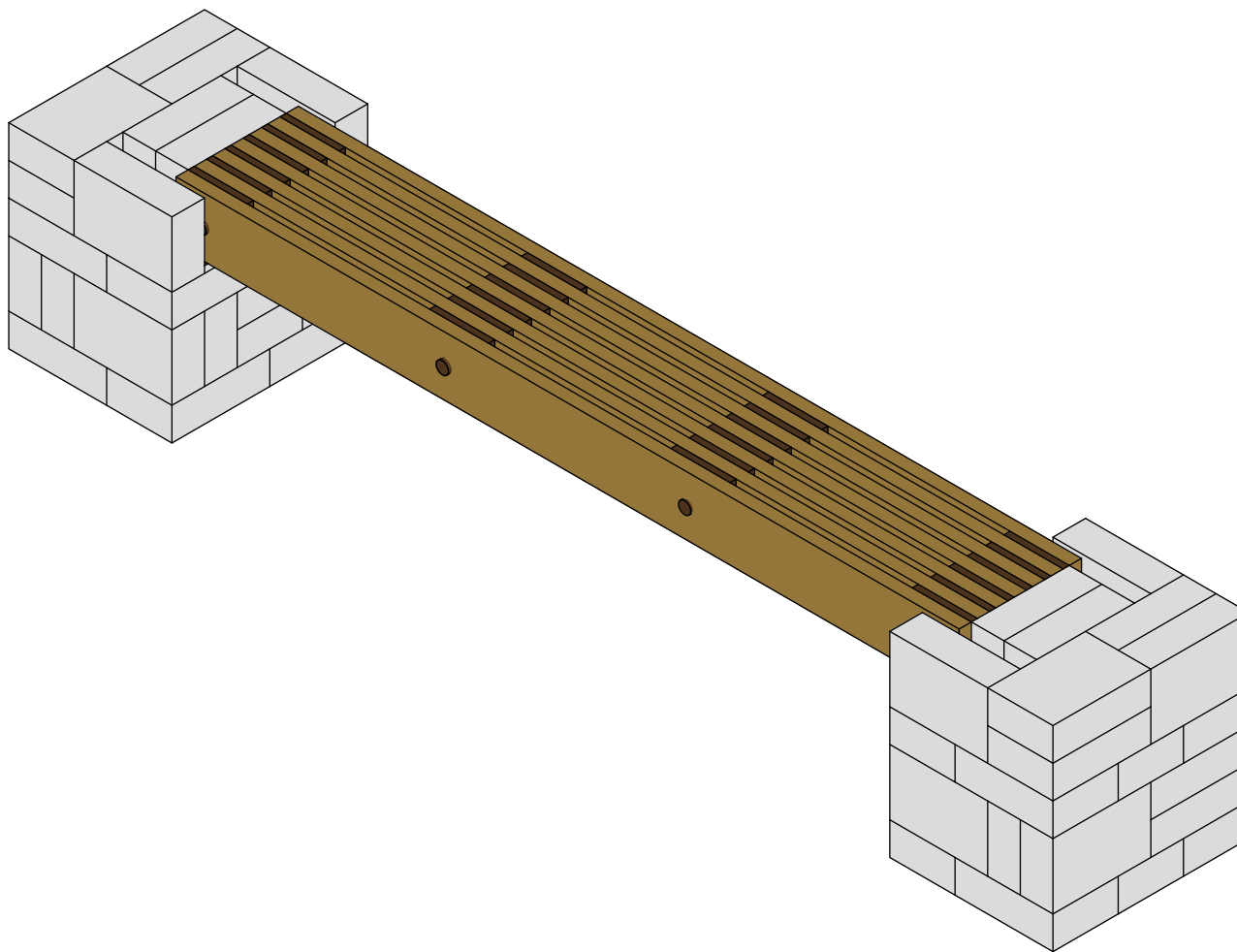
**BUILD WITH
DAKOTA**

SBW-2024

Garden Bench

REVISIONS

	MM/DD/YY	REMARKS
1	06/04/15	2 SKU and QR update
2	--/--/--	...
3	--/--/--	...
4	--/--/--	...
5	--/--/--	...



When constructing your kit, be sure to keep all blocks level, square, and plumb. Use a four foot level and check often. Starting on a level foundation is key. When gluing blocks together, be sure not to use too much adhesive - this will cause the blocks to "swim." A small bead is ideal.

Dakota Stone™

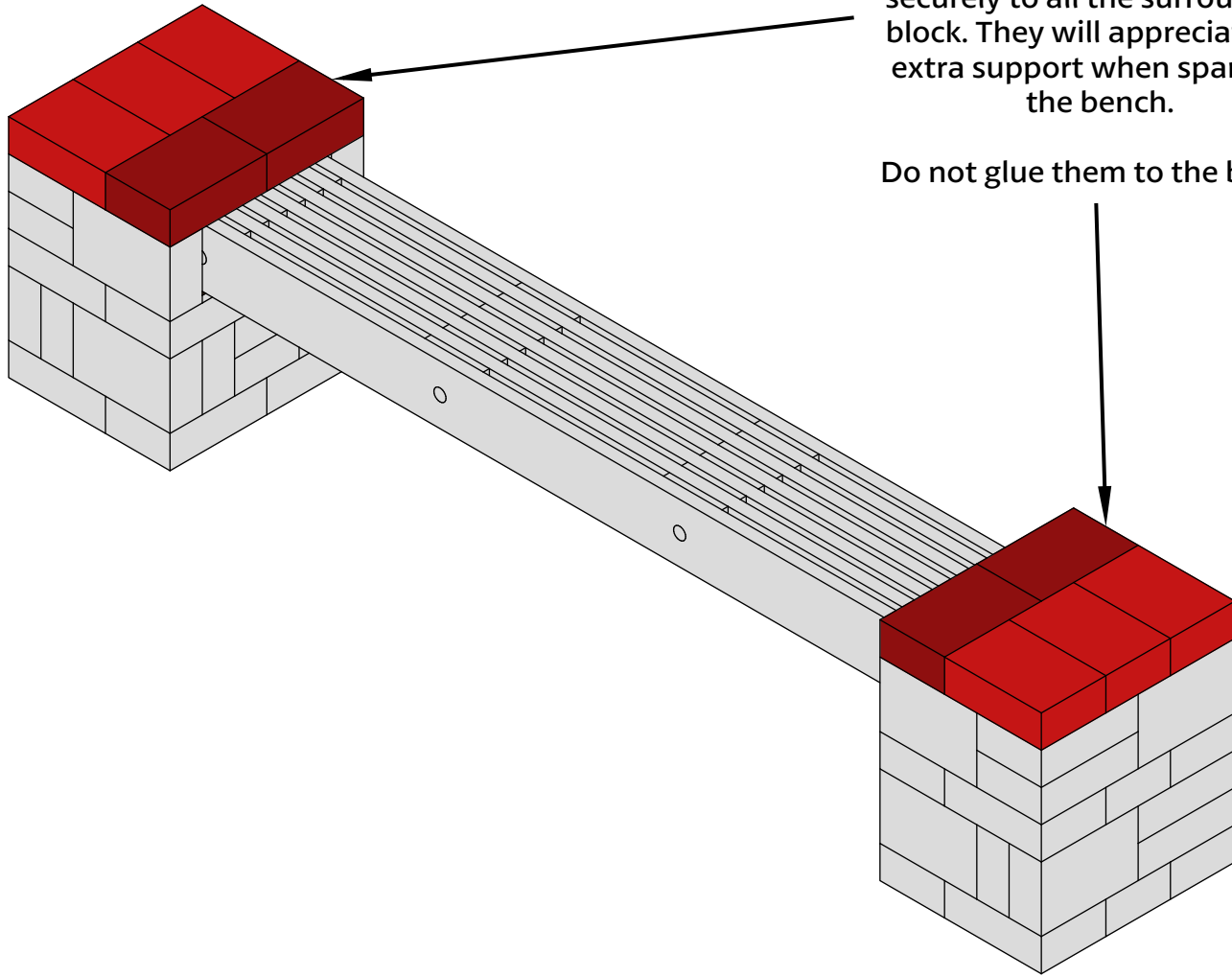
**BUILD WITH
DAKOTA**

SBW-2024

Garden Bench

REVISIONS

	MM/DD/YY	REMARKS
1	06/04/15	2 SKU and QR update
2	--/--/--	...
3	--/--/--	...
4	--/--/--	...
5	--/--/--	...



Be sure to glue the inside sets of 2) L P U) (4 block) P O H X securely to all the surrounding block. They will appreciate the extra support when spanning the bench.

Do not glue them to the bench.

When constructing your kit, be sure to keep all blocks level, square, and plumb. Use a four foot level and check often. Starting on a level foundation is key. When gluing blocks together, be sure not to use too much adhesive - this will cause the blocks to "swim." A small bead is ideal.

Dakota Stone™

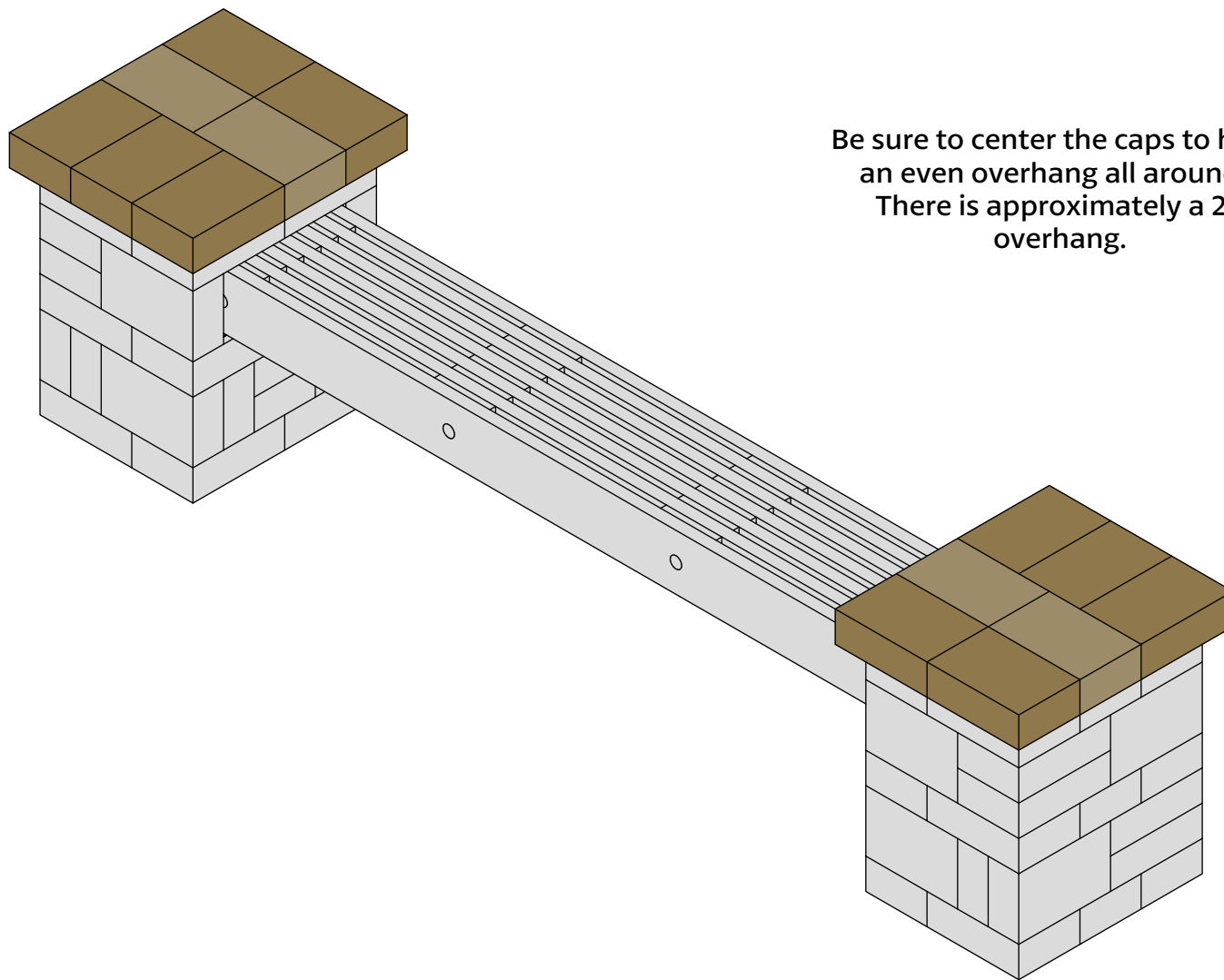
**BUILD WITH
DAKOTA**

SBW-2024

Garden Bench

REVISIONS

	MM/DD/YY	REMARKS
1	06/04/15	2 SKU and QR update
2	--/--/--	...
3	--/--/--	...
4	--/--/--	...
5	--/--/--	...



Be sure to center the caps to have an even overhang all around. There is approximately a 2" overhang.

When constructing your kit, be sure to keep all blocks level, square, and plumb. Use a four foot level and check often. Starting on a level foundation is key. When gluing blocks together, be sure not to use too much adhesive - this will cause the blocks to "swim." A small bead is ideal.

Dakota Stone™

**BUILD WITH
DAKOTA**

SBW-2024

Garden Bench

REVISIONS

	MM/DD/YY	REMARKS
1	06/04/15	2 SKU and QR update
2	--/--/--	...
3	--/--/--	...
4	--/--/--	...
5	--/--/--	...