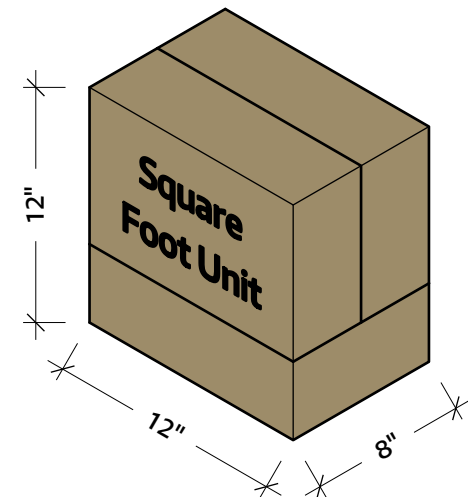
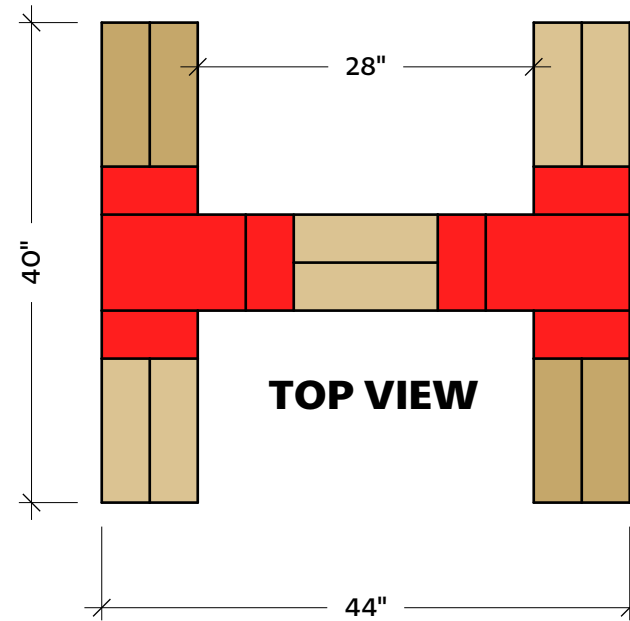
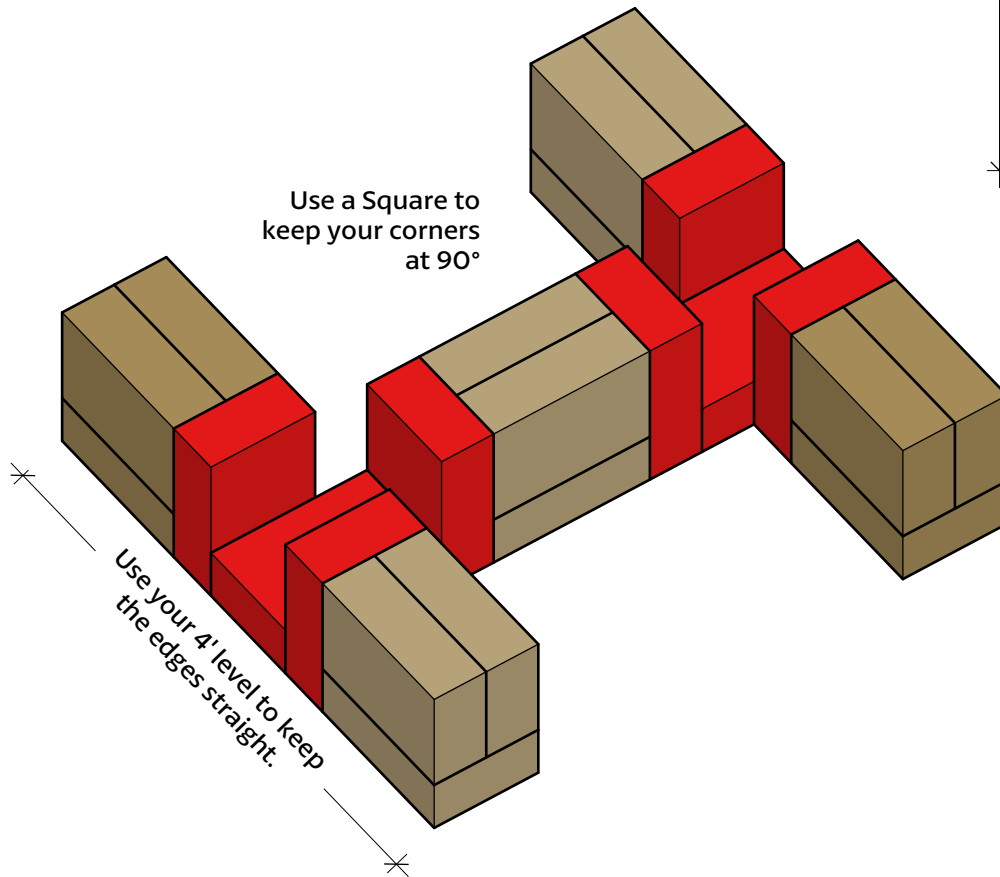


Lay out the first course of your table kit. This is the "foundation" on which you will build your table. Take time to make sure it is as perfect as possible. Be sure this course is level and square. Any mistakes made here will continue to show up as you build.



When constructing your kit, be sure to keep all blocks level, square, and plumb. Use a four foot level and check often. Starting on a level foundation is key. When gluing blocks together, be sure not to use too much adhesive - this will cause the blocks to "swim." A small bead is ideal.



www.buildwith.romanstone.com

BUILD WITH ROMAN™

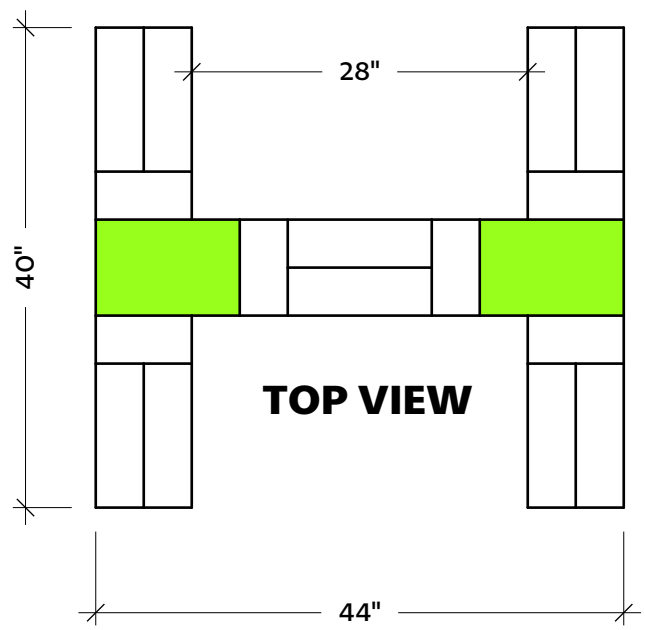
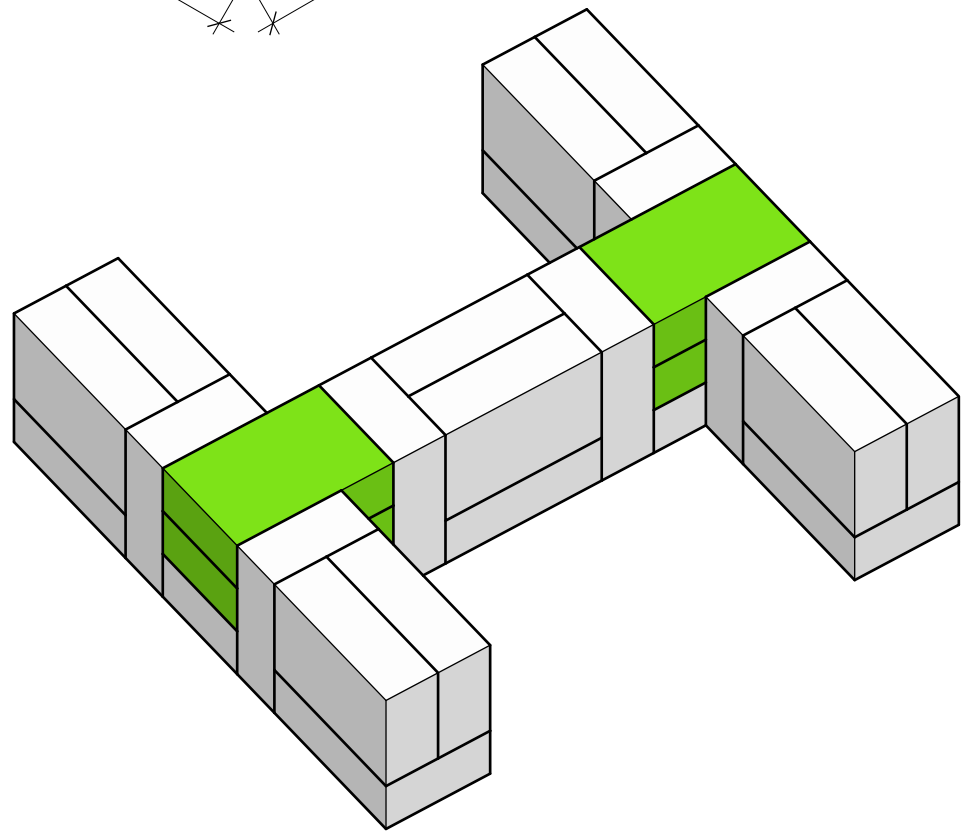
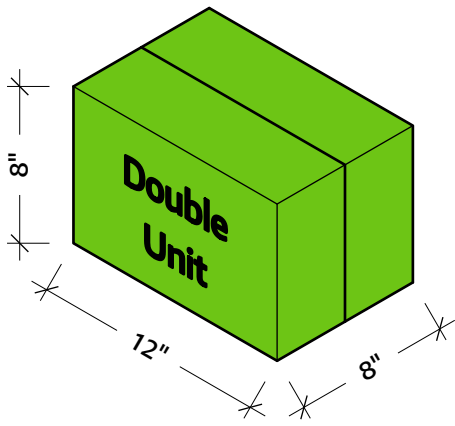
FTXA-7256

Family Size Table

REVISIONS

	MM/DD/YY	REMARKS
1	06/04/15	2 SKU and QR update
2	---/---/---	...
3	---/---/---	...
4	---/---/---	...
5	---/---/---	...

01



Remember: Just use a small bead of glue on each block. You don't want your blocks to "swim" due to too much glue. If some glue oozes out, DO NOT TRY TO CLEAN IT. You will only make a huge sticky mess. Wait for it to cure. Then, break or cut it away.

When constructing your kit, be sure to keep all blocks level, square, and plumb. Use a four foot level and check often. Starting on a level foundation is key. When gluing blocks together, be sure not to use too much adhesive - this will cause the blocks to "swim." A small bead is ideal.



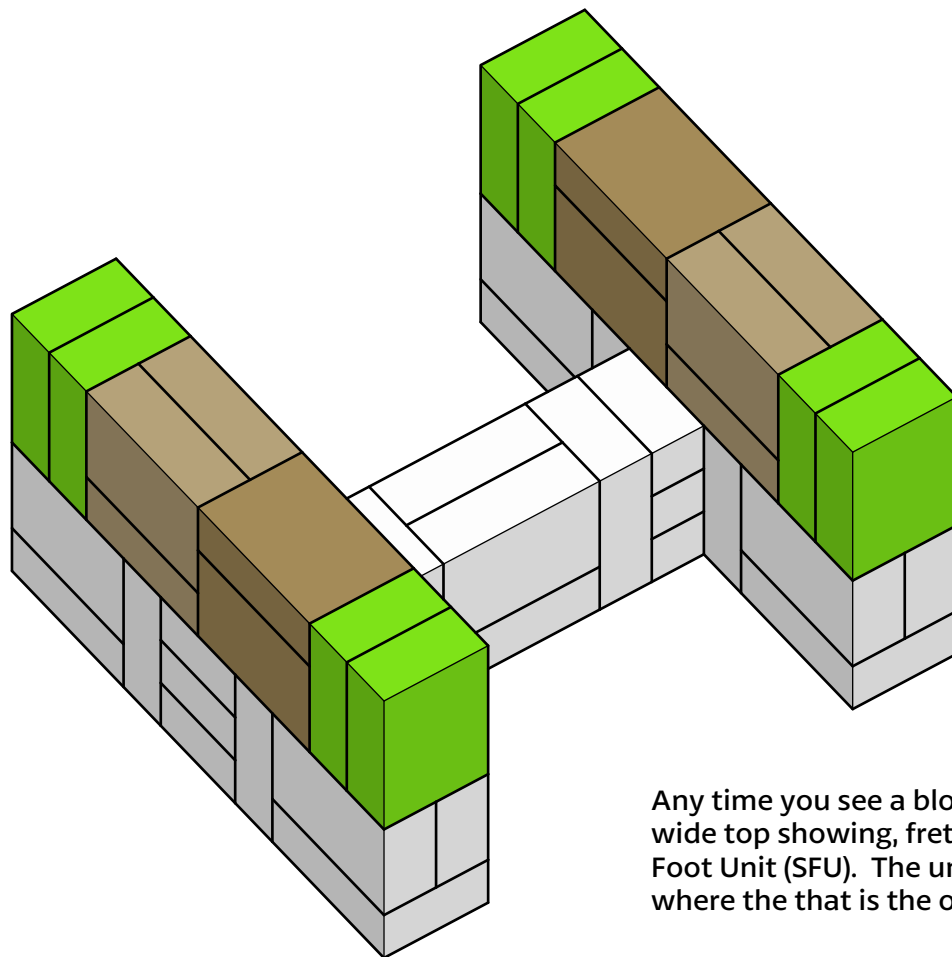
www.buildwith.romanstone.com

BUILD WITH ROMAN™

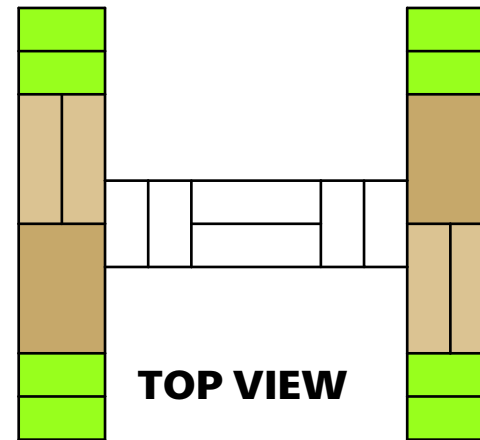
FTXA-7256

Family Size Table

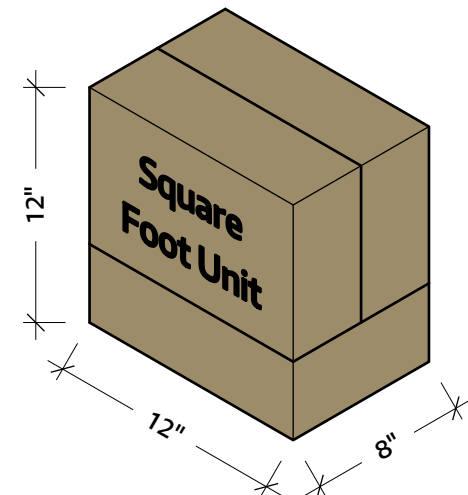
REVISIONS	
MM/DD/YY	REMARKS
1 06/04/15	2 SKU and QR update
2 ---/---/---	...
3 ---/---/---	...
4 ---/---/---	...
5 ---/---/---	...



Any time you see a block with just the wide top showing, fret not, it is a Square Foot Unit (SFU). The unit is just turned where the that is the only block you see.



TOP VIEW



When constructing your kit, be sure to keep all blocks level, square, and plumb. Use a four foot level and check often. Starting on a level foundation is key. When gluing blocks together, be sure not to use too much adhesive - this will cause the blocks to "swim." A small bead is ideal.



www.buildwith.romanstone.com

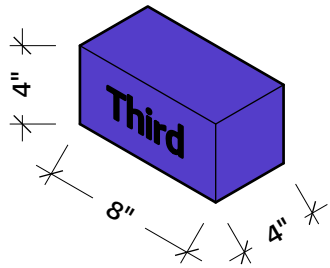
BUILD WITH ROMAN™

FTXA-7256

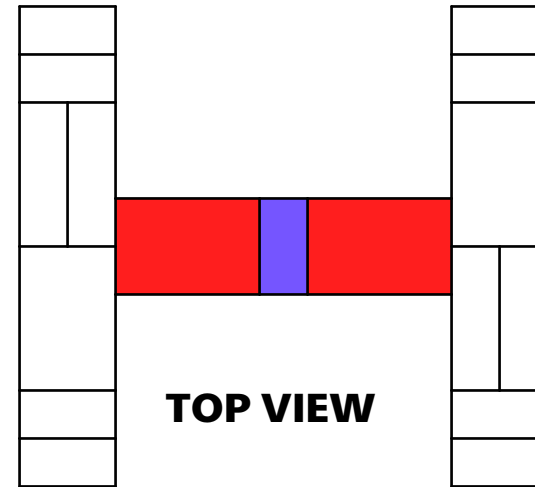
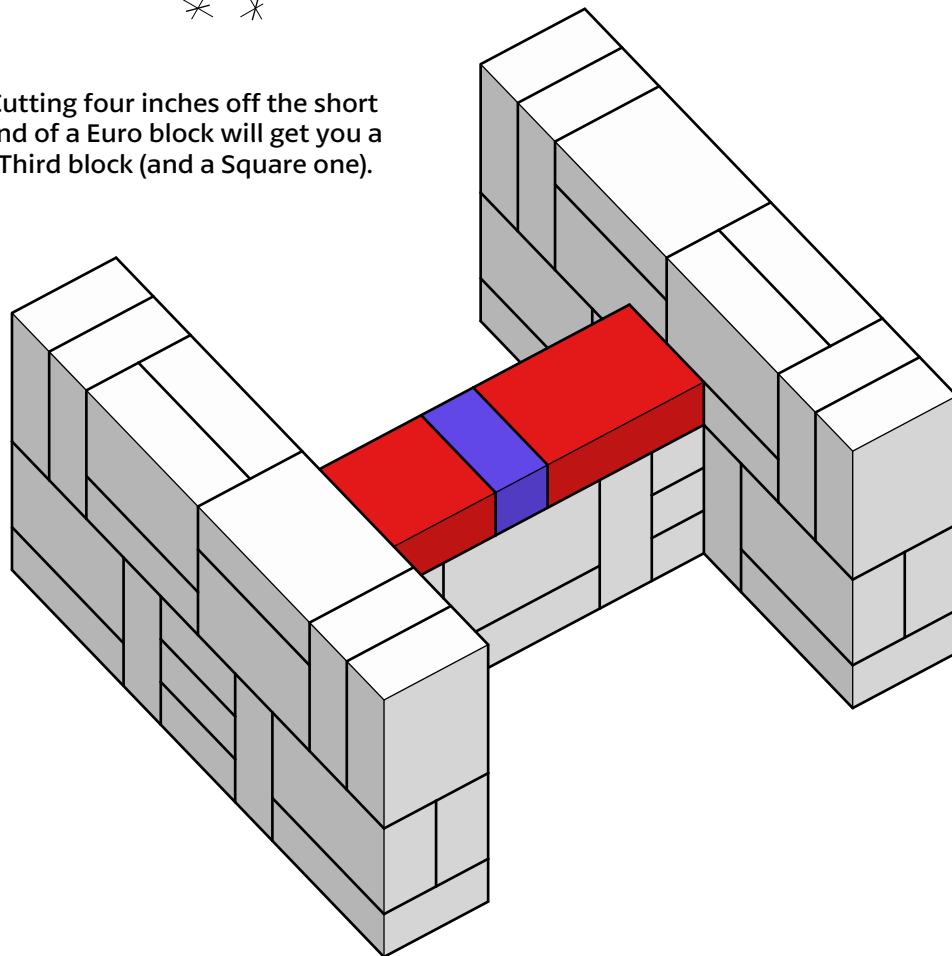
Family Size Table

REVISIONS

	MM/DD/YY	REMARKS
1	06/04/15	2 SKU and QR update
2	--/--/--	...
3	--/--/--	...
4	--/--/--	...
5	--/--/--	...



Cutting four inches off the short end of a Euro block will get you a Third block (and a Square one).



TOP VIEW

Remember: Just use a small bead of glue on each block. You don't want your blocks to "swim" due to too much glue. If some glue oozes out, DO NOT TRY TO CLEAN IT. You will only make a huge sticky mess. Wait for it to cure. Then, break or cut it away.

When constructing your kit, be sure to keep all blocks level, square, and plumb. Use a four foot level and check often. Starting on a level foundation is key. When gluing blocks together, be sure not to use too much adhesive - this will cause the blocks to "swim." A small bead is ideal.



www.buildwith.romanstone.com

BUILD WITH ROMAN™

FTXA-7256

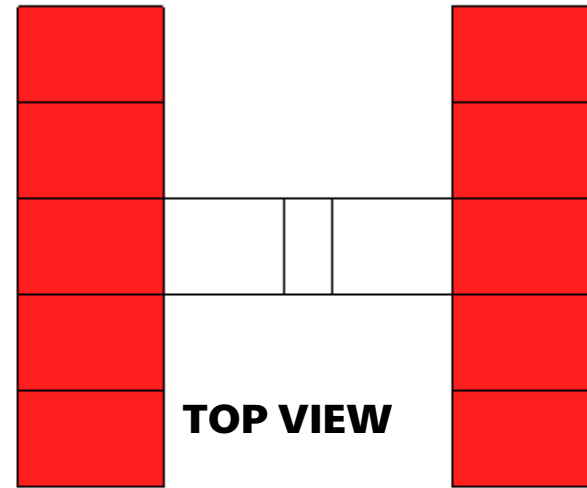
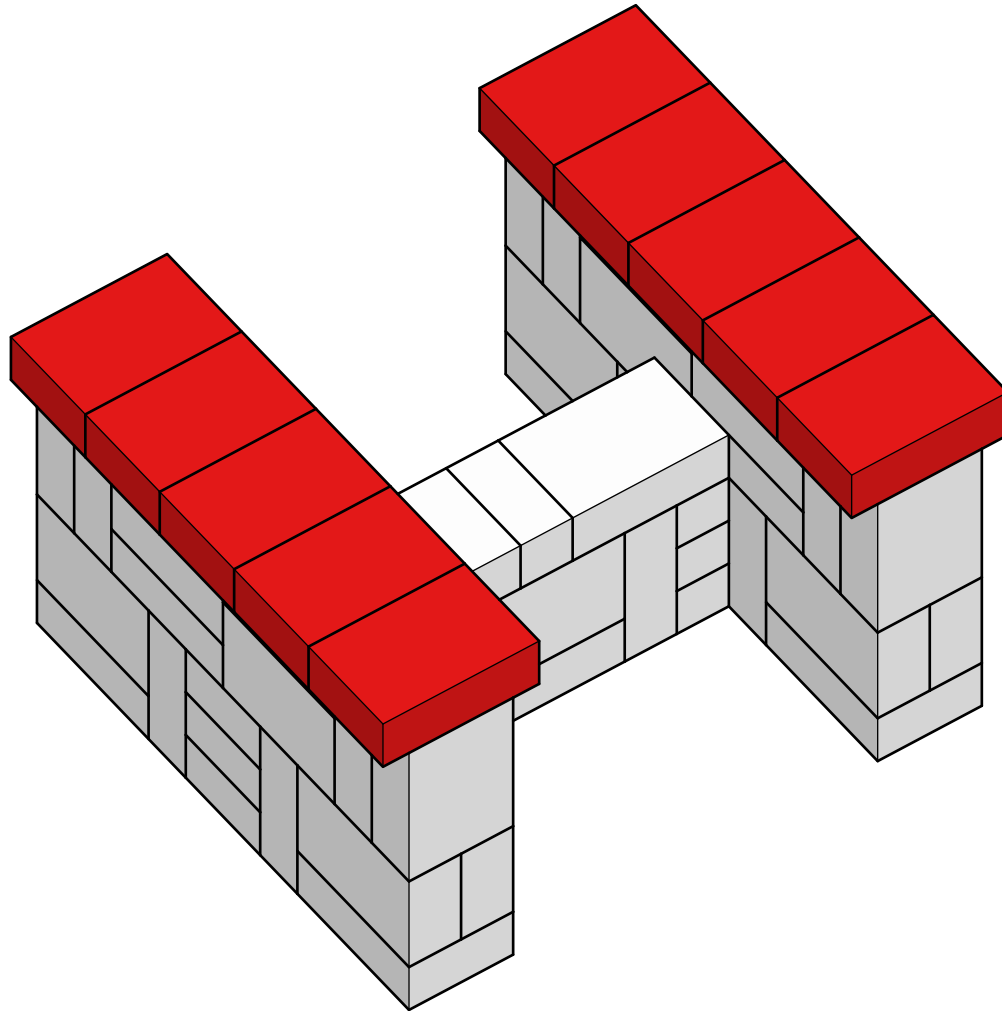
Family Size Table

REVISIONS

	MM/DD/YY	REMARKS
1	06/04/15	2 SKU and QR update
2	--/--/--	...
3	--/--/--	...
4	--/--/--	...
5	--/--/--	...

04

Center these blocks over the course below. They will have approx. 2" of overhang. Use a 4' level to keep the edges in a straight line.



TOP VIEW

DO NOT PROCEED TO THE NEXT STEP UNTIL THE GLUE IS COMPLETELY CURED. USUALLY 24 HOURS.

When constructing your kit, be sure to keep all blocks level, square, and plumb. Use a four foot level and check often. Starting on a level foundation is key. When gluing blocks together, be sure not to use too much adhesive - this will cause the blocks to "swim." A small bead is ideal.



www.buildwith.romanstone.com

BUILD WITH ROMAN™

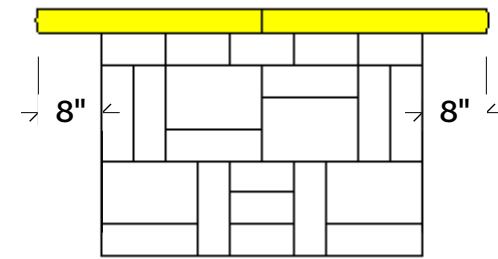
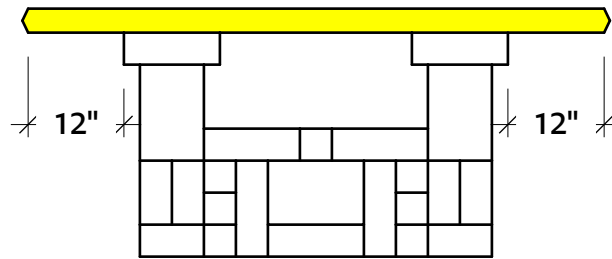
FTXA-7256

Family Size Table

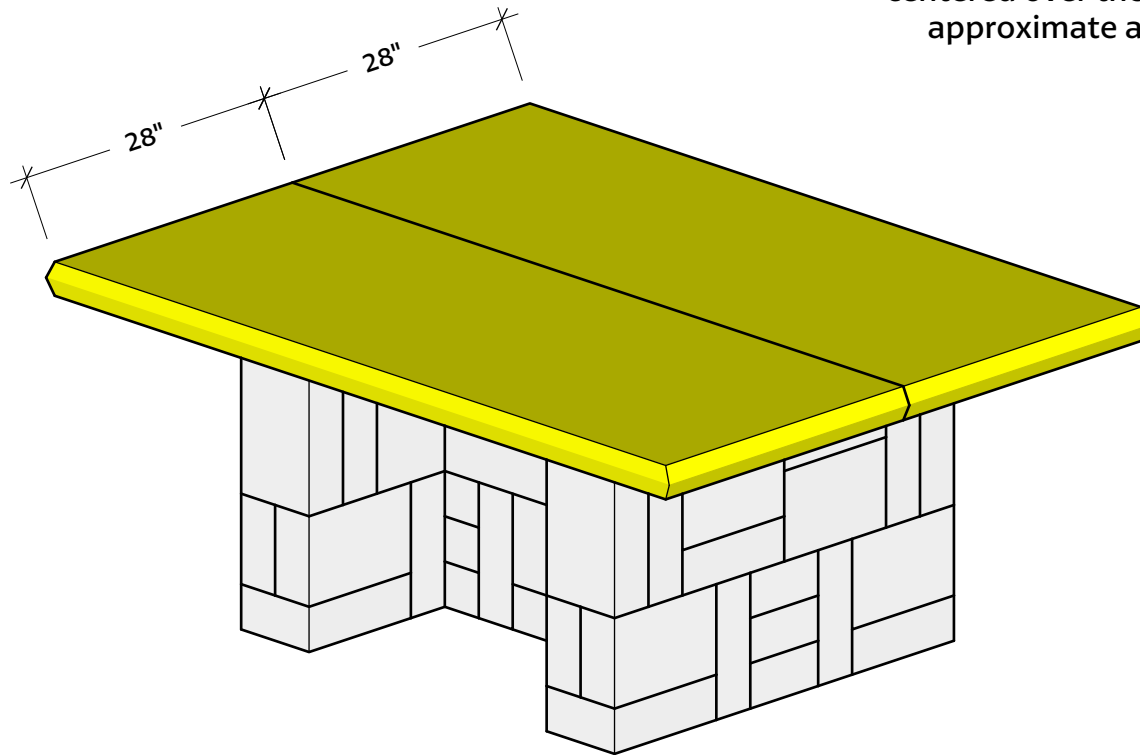
REVISIONS

	MM/DD/YY	REMARKS
1	06/04/15	2 SKU and QR update
2	--/--/--	...
3	--/--/--	...
4	--/--/--	...
5	--/--/--	...

Get all your friends to help with this step. After the glue is cured from the previous steps, place the tabletop. Do not overglue, but liberally glue the block before placing the top. Do not glue too close to the blocks' edges. You will need "wiggle room" to center the tabletop.



Measure to get the correct overhang. Keep the tabletop centered over the leg structure. Dimensions are approximate and provided as a guide only.



You must saw off one edge of the two countertops. Use a marker to make the line. Using a chalk line only does not work. The wind created by the saw blade will blow away your chalk line. You may want to use a sanded siliconized grout to put between the seam for a more finished look.

When constructing your kit, be sure to keep all blocks level, square, and plumb. Use a four foot level and check often. Starting on a level foundation is key. When gluing blocks together, be sure not to use too much adhesive - this will cause the blocks to "swim." A small bead is ideal.



www.buildwith.romanstone.com

BUILD WITH ROMAN™

FTXA-7256

Family Size Table

REVISIONS

	MM/DD/YY	REMARKS
1	06/04/15	2 SKU and QR update
2	--/--/--	...
3	--/--/--	...
4	--/--/--	...
5	--/--/--	...

06