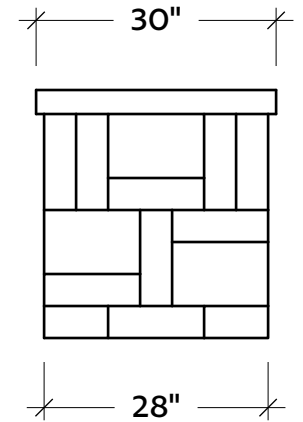
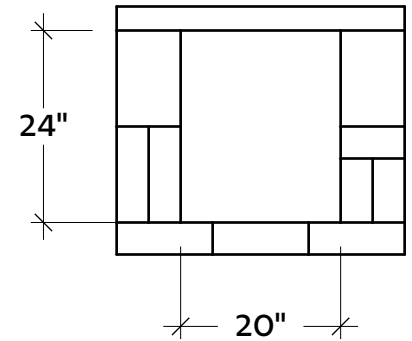
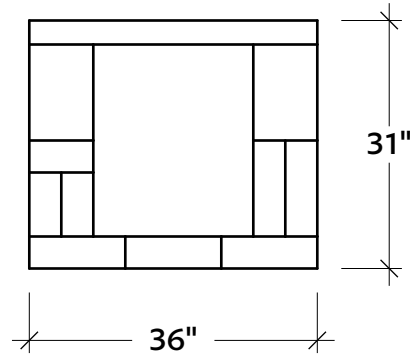


See-Thru Wood Boxes

# SEE-THRU WOOD BOXES



Dakota Stone™

Step by step instructions for assembling  
WB2-3628 on a prepared surface/base.













