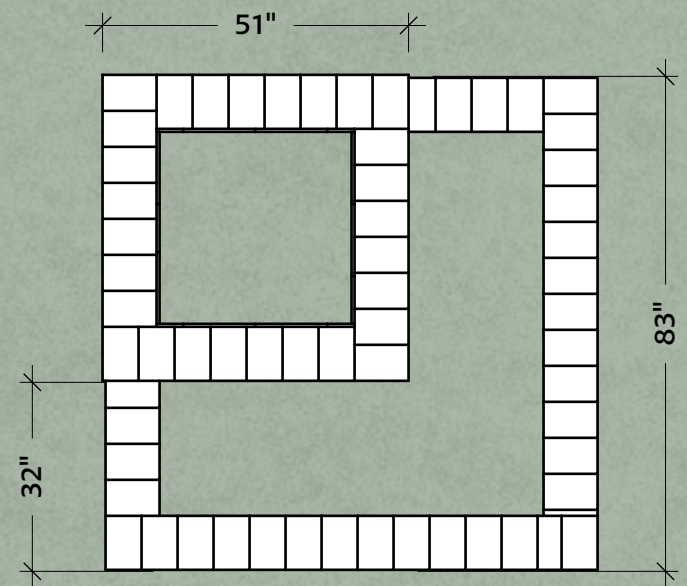
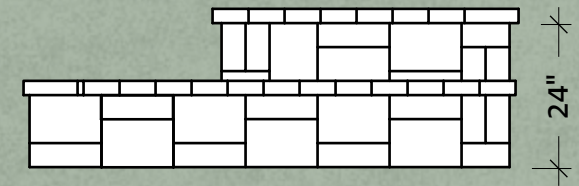
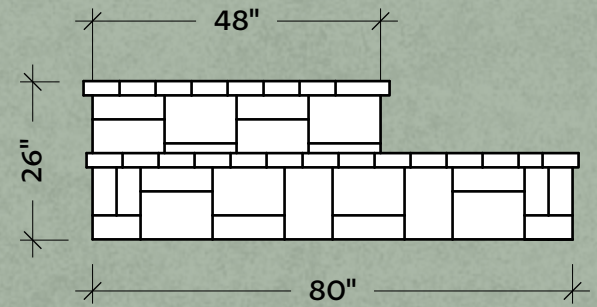
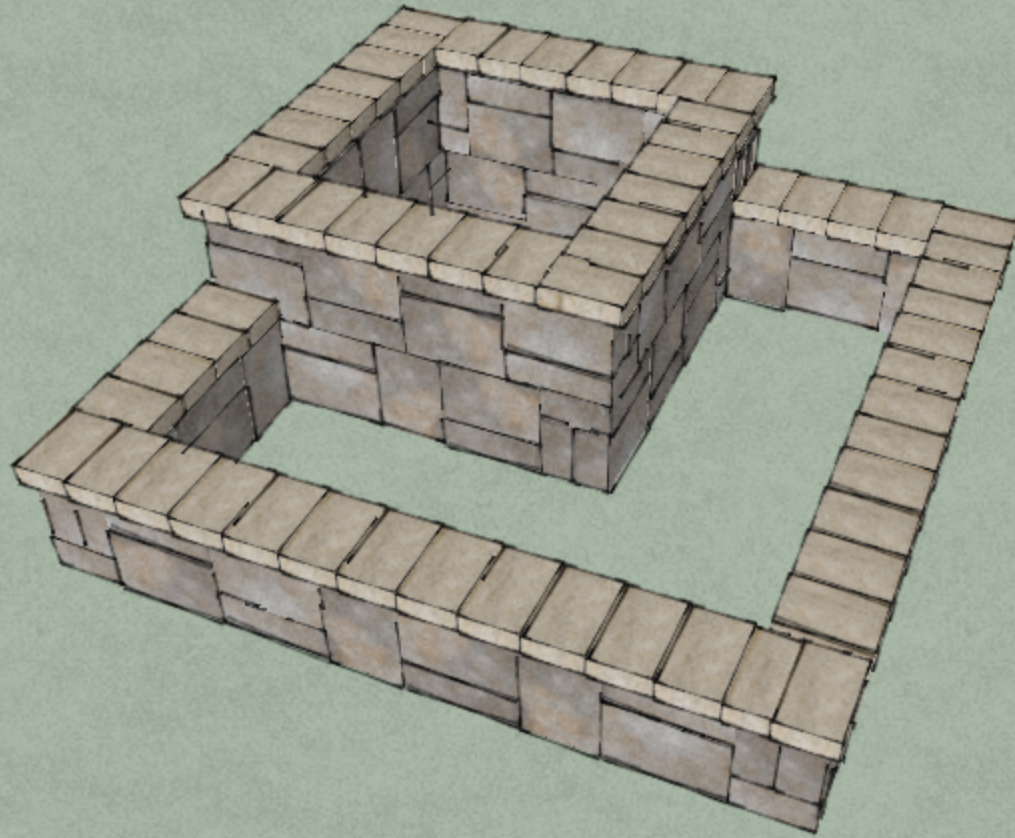


# RGB-80QH

Raised Flower Garden

## HATFIELD



Dakota Stone™

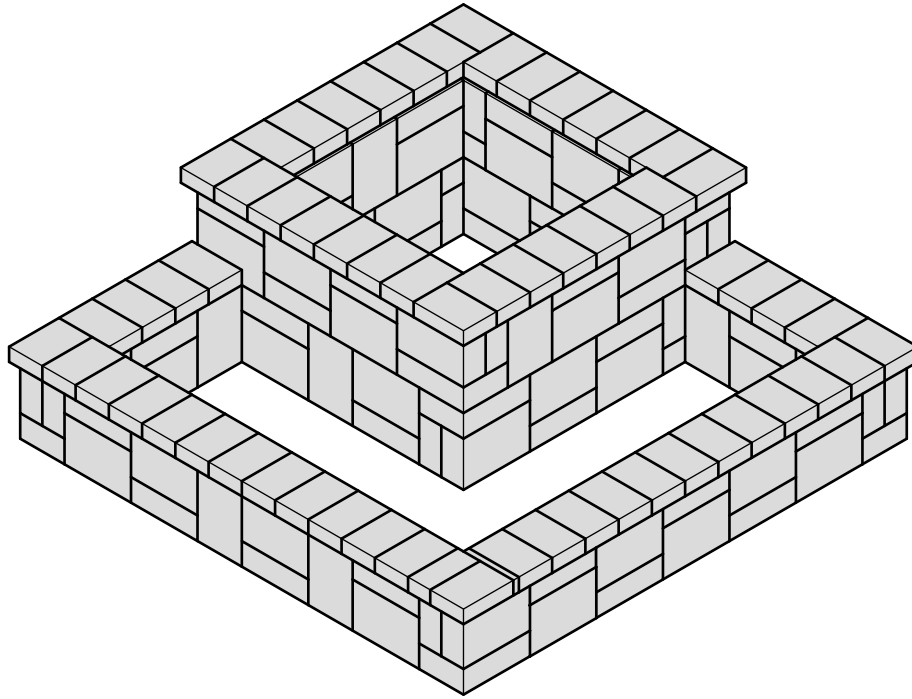
Step by step instructions for assembling RGB-80QH on a prepared surface/base.



All sizes in this document are approximate.

This set of instructions assumes you are building on a level grade on a level foundation.

Be sure to prepare foundation as set out in Romanstone's Base Preparation Guide.



**Materials Needed:**

- 130 Dakota Stone™ (4x8x12)
- 65 6x9 Ledge Rock (24sf)
- 4 Tubes Adhesive

**Tools Needed:**

- Dead Blow Hammer
- Caulk Gun
- 4 Foot Level
- Torpedo Level
- Square

When constructing your kit, be sure to keep all blocks level, square, and plumb. Use a four foot level and check often. Starting on a level foundation is key. When gluing blocks together, be sure not to use too much adhesive - this will cause the blocks to "swim." A small bead is ideal.



**RGB-80QH**

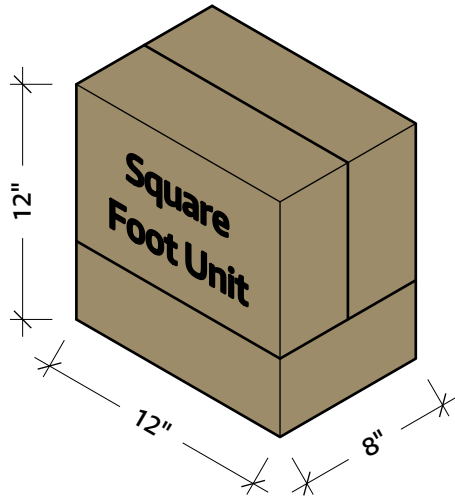
---

Raised Flower Garden

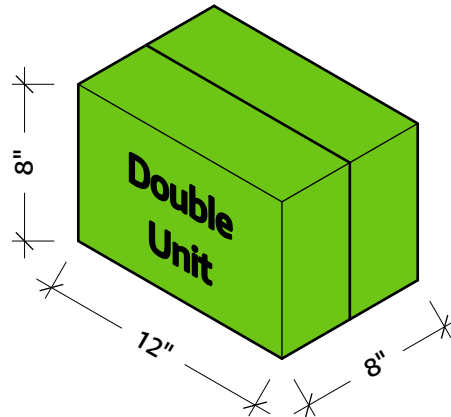
REVISIONS	
MM/DD/YY	REMARKS
1 06/04/15	2 SKU and QR update
2 --/--/--	...
3 --/--/--	...
4 --/--/--	...
5 --/--/--	...

**INFO**

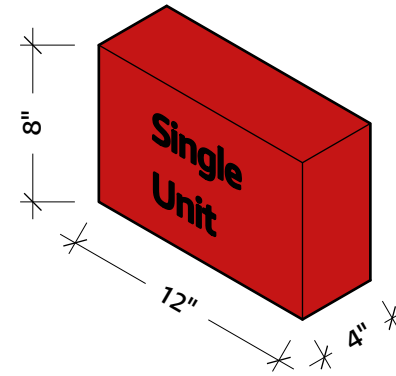
All sizes in this document are approximate.



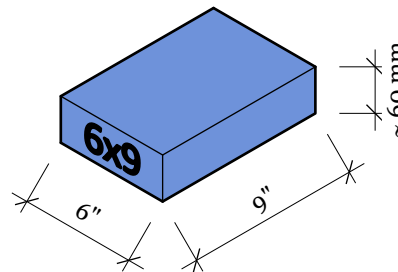
The "Square Foot Unit." consists of three block as shown. By rotating this unit (SFU) we are able to build quickly and easily while keeping bond lines broken up. These will always be shown in a tan color.



Sometimes SFUs are broken up or can't be used. The Double Unit is the next preferred unit. Double Units are grouped for strength and speed in construction. They are always represented in green.



The Single Unit is the basis for all the construction, of course. When used in a single or non-standard configuration, you will see the Single Euro depicted in red.



6" x 9" Ledge Rock paver. Great to use as a small cap. Always shown in light blue.

## Unit Size Color Key

When constructing your kit, be sure to keep all blocks level, square, and plumb. Use a four foot level and check often. Starting on a level foundation is key. When gluing blocks together, be sure not to use too much adhesive - this will cause the blocks to "swim." A small bead is ideal.

**ROMANSTONE**  
HARDSCAPES®

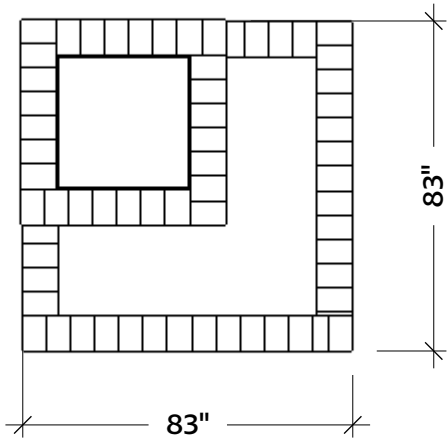
**RGB-80QH**

Raised Flower Garden

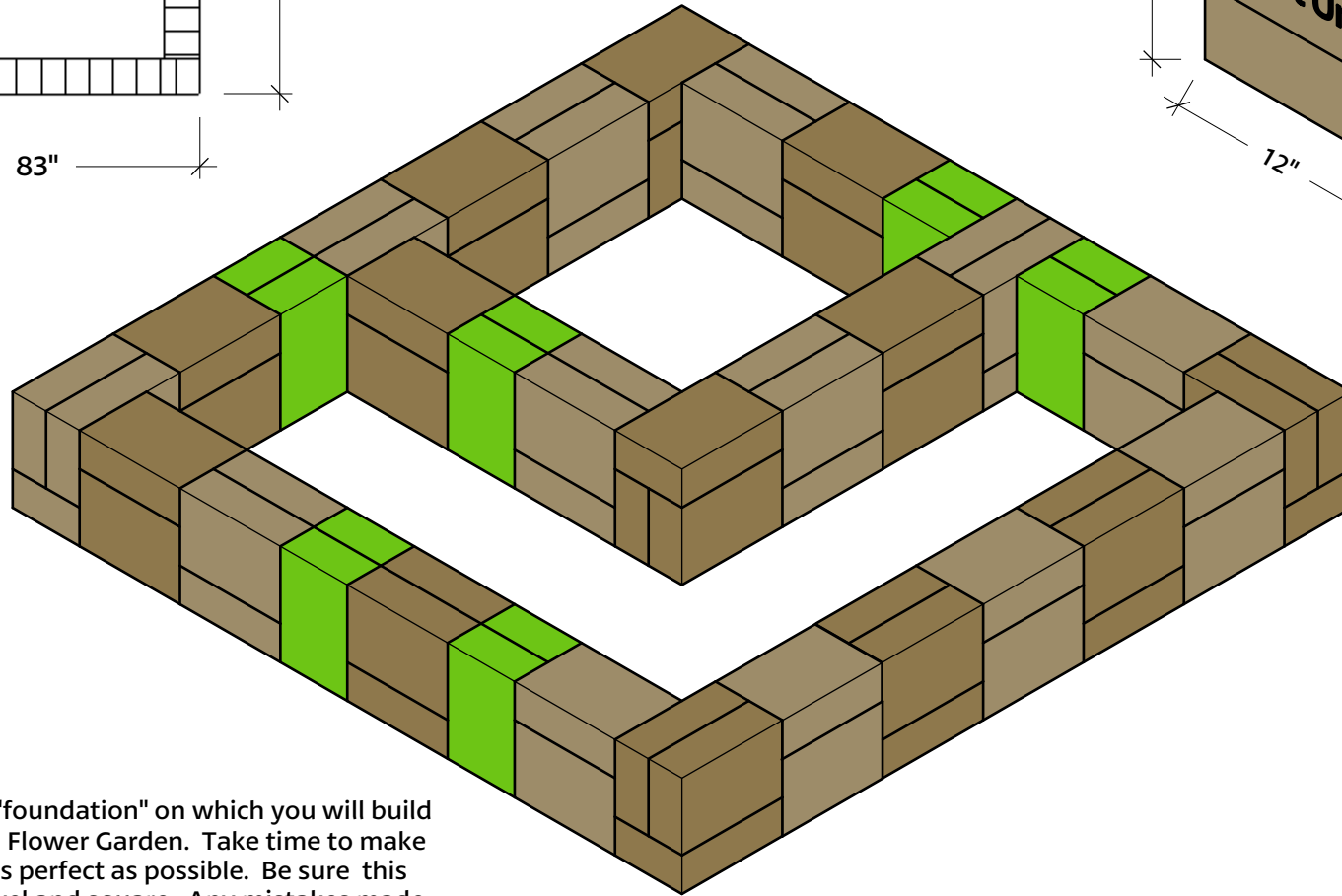
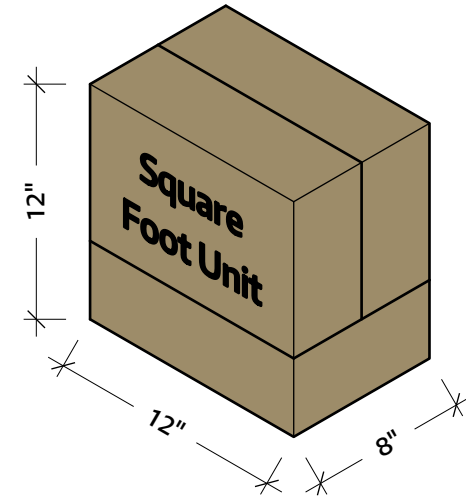
REVISIONS

	MM/DD/YY	REMARKS
1	06/04/15	2 SKU and QR update
2	--/--/--	...
3	--/--/--	...
4	--/--/--	...
5	--/--/--	...

**KEY1**



Any time you see a block with just the wide top showing, fret not, it is a Square Foot Unit (SFU). The unit is just turned where the that is the only block you see.



This is the "foundation" on which you will build your Raised Flower Garden. Take time to make sure it is as perfect as possible. Be sure this course is level and square. Any mistakes made here will continue to show up as you build.

When constructing your kit, be sure to keep all blocks level, square, and plumb. Use a four foot level and check often. Starting on a level foundation is key. When gluing blocks together, be sure not to use too much adhesive - this will cause the blocks to "swim." A small bead is ideal.

**ROMANSTONE**  
HARDSCAPES®

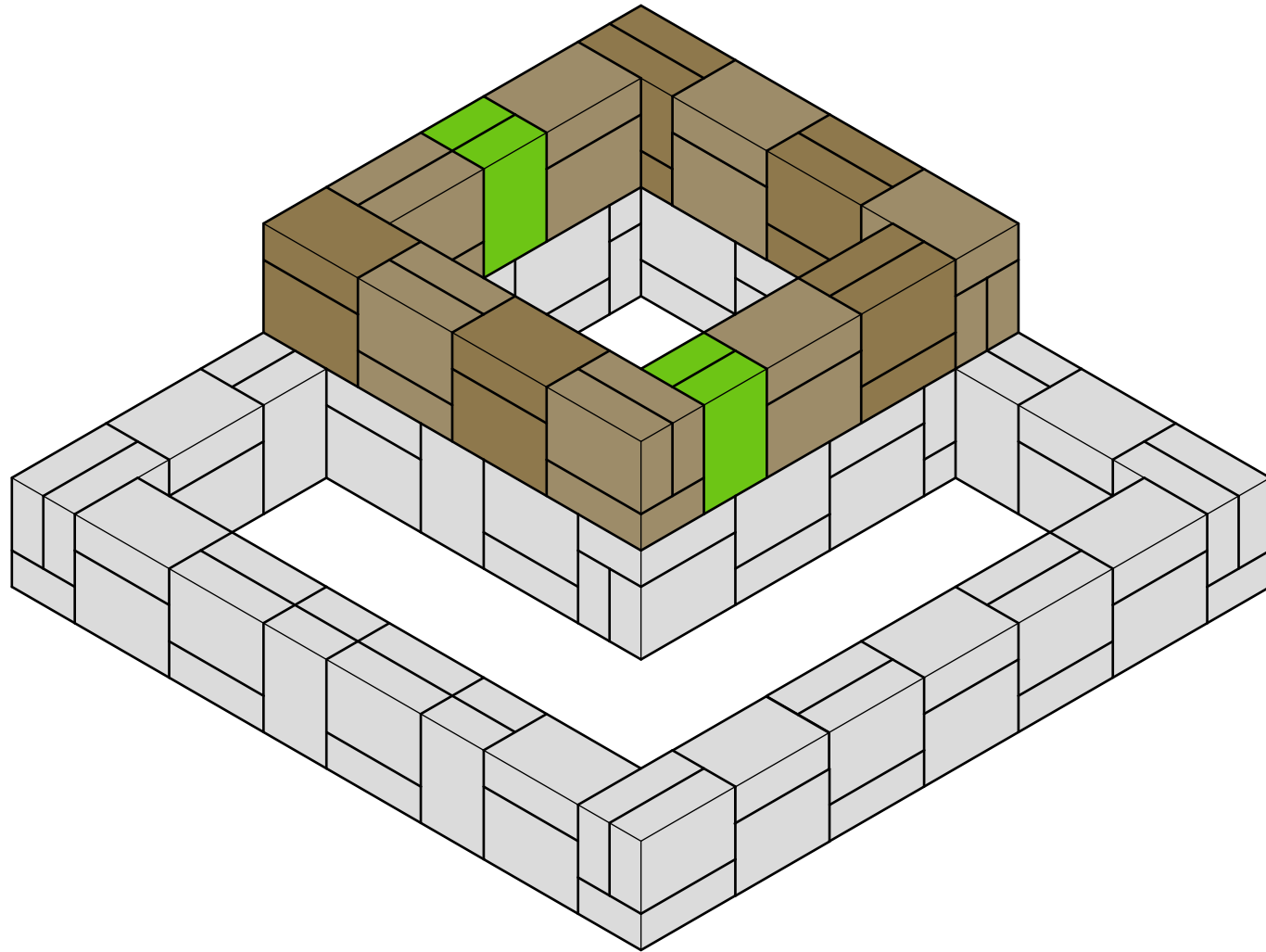
## RGB-80QH

Raised Flower Garden

### REVISIONS

	MM/DD/YY	REMARKS
1	06/04/15	2 SKU and QR update
2	--/--/--	...
3	--/--/--	...
4	--/--/--	...
5	--/--/--	...

**01**



When constructing your kit, be sure to keep all blocks level, square, and plumb. Use a four foot level and check often. Starting on a level foundation is key. When gluing blocks together, be sure not to use too much adhesive - this will cause the blocks to "swim." A small bead is ideal.

**ROMANSTONE**  
HARDSCAPES®

## RGB-80QH

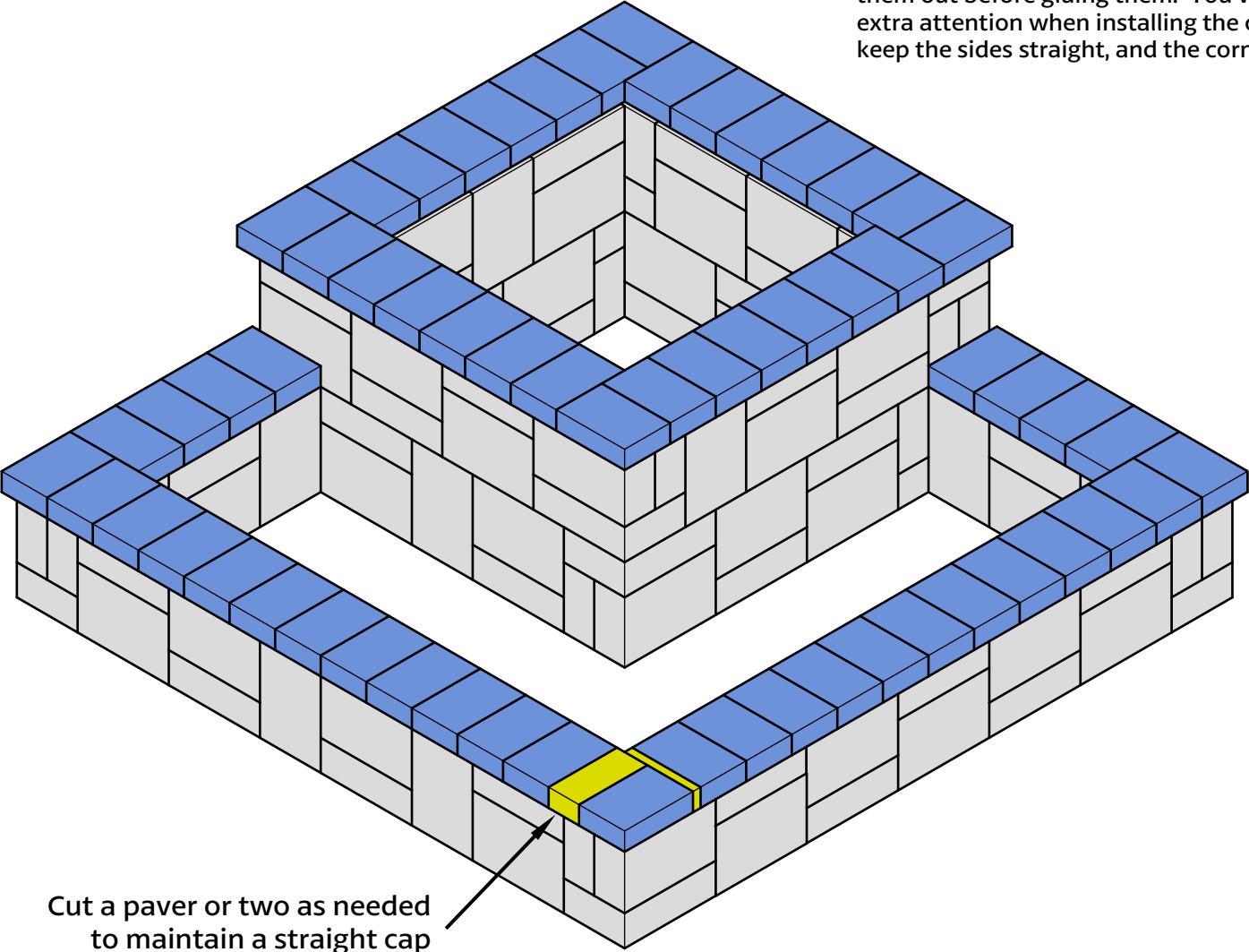
Raised Flower Garden

### REVISIONS

	MM/DD/YY	REMARKS
1	06/04/15	2 SKU and QR update
2	--/--/--	...
3	--/--/--	...
4	--/--/--	...
5	--/--/--	...



The cap stones are the trickiest part. Be sure to lay them out before gluing them. You will want to pay extra attention when installing the cap. Be sure to keep the sides straight, and the corners square.



Cut a paver or two as needed to maintain a straight cap with proper overhang.

When constructing your kit, be sure to keep all blocks level, square, and plumb. Use a four foot level and check often. Starting on a level foundation is key. When gluing blocks together, be sure not to use too much adhesive - this will cause the blocks to "swim." A small bead is ideal.



**RGB-80QH**

---

Raised Flower Garden

		REVISIONS
	MM/DD/YY	REMARKS
1	06/04/15	2 SKU and QR update
2	--/--/--	...
3	--/--/--	...
4	--/--/--	...
5	--/--/--	...