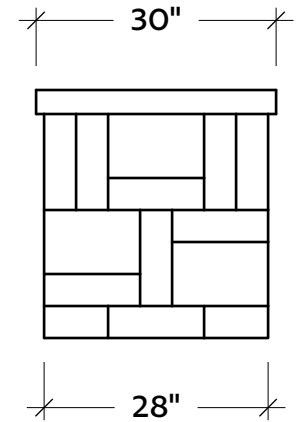
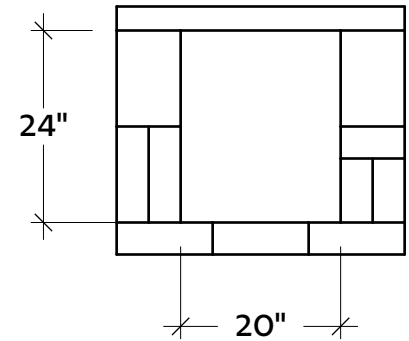
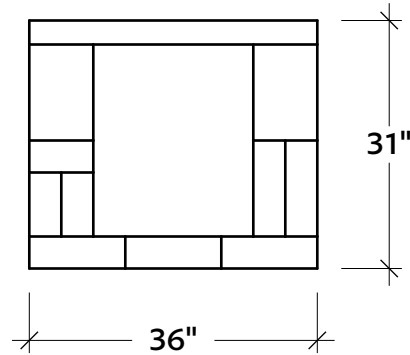


See-Thru Wood Boxes

SEE-THRU WOOD BOXES



Dakota Stone™

Step by step instructions for assembling
WB2-3628 on a prepared surface/base.



