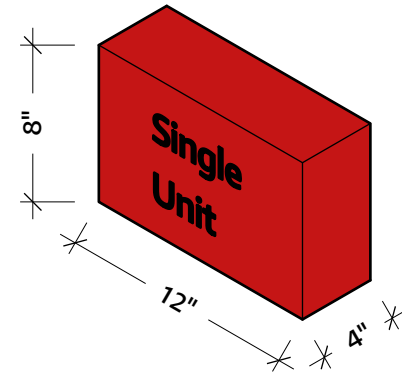
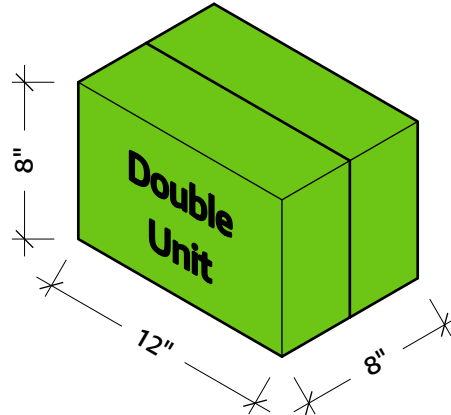
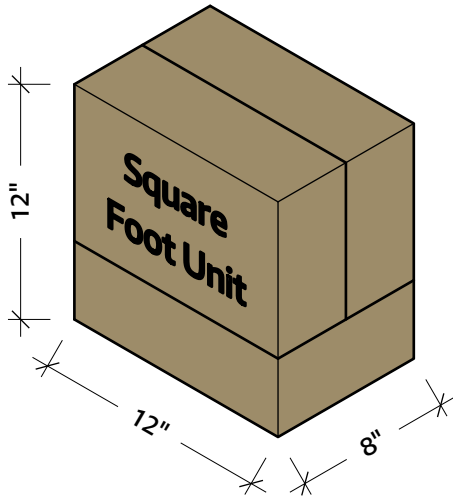




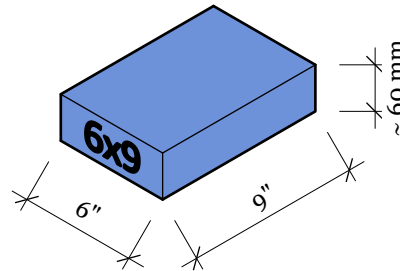


All sizes in this document are approximate.

## Unit Size Color Key



When constructing your kit, be sure to keep all blocks level, square, and plumb. Use a four foot level and check often. Starting on a level foundation is key. When gluing blocks together, be sure not to use too much adhesive - this will cause the blocks to "swim." A small bead is ideal.



6" x 9" Ledge Rock paver.  
Great to use as a small cap. Always shown in light blue.

**ROMANSTONE**  
HARDSCAPES

[www.buildwith.romanstone.com](http://www.buildwith.romanstone.com)

BUILD WITH ROMAN™

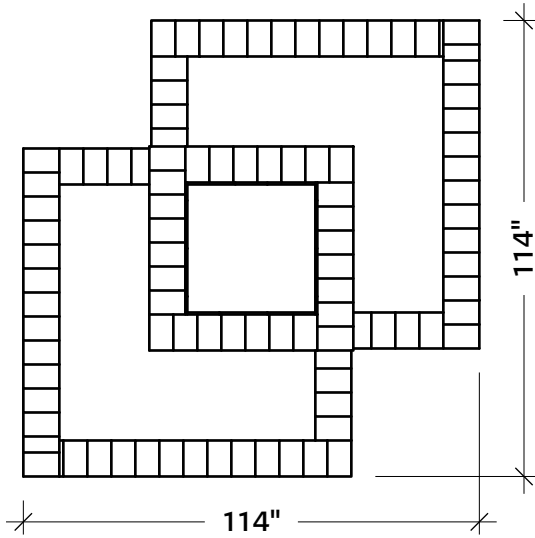
**RGB-112Q**

Raised Flower Garden

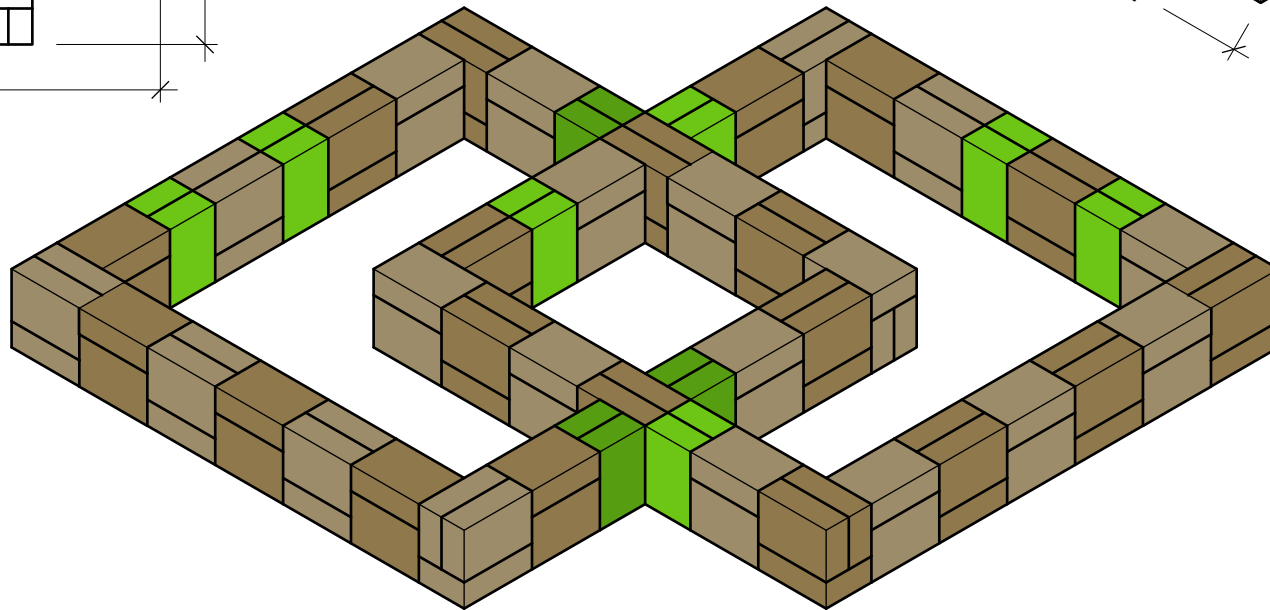
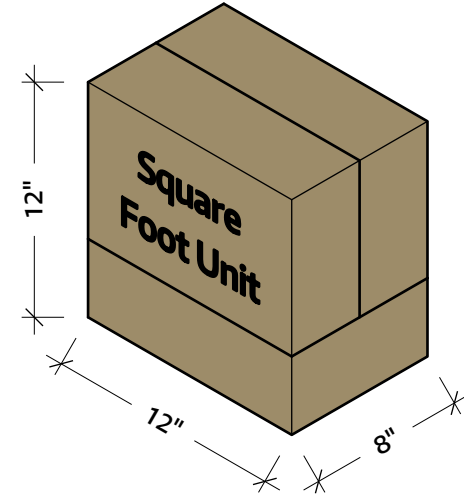
REVISIONS

	MM/DD/YY	REMARKS
1	06/04/15	2 SKU and QR update
2	---/---/---	...
3	---/---/---	...
4	---/---/---	...
5	---/---/---	...

**KEY1**



Any time you see a block with just the wide top showing, fret not, it is a Square Foot Unit (SFU). The unit is just turned where the that is the only block you see.



This is the "foundation" on which you will build your Raised Flower Garden. Take time to make sure it is as perfect as possible. Be sure this course is level and square. Any mistakes made here will continue to show up as you build.

When constructing your kit, be sure to keep all blocks level, square, and plumb. Use a four foot level and check often. Starting on a level foundation is key. When gluing blocks together, be sure not to use too much adhesive - this will cause the blocks to "swim." A small bead is ideal.



[www.buildwith.romanstone.com](http://www.buildwith.romanstone.com)

**BUILD WITH ROMAN™**

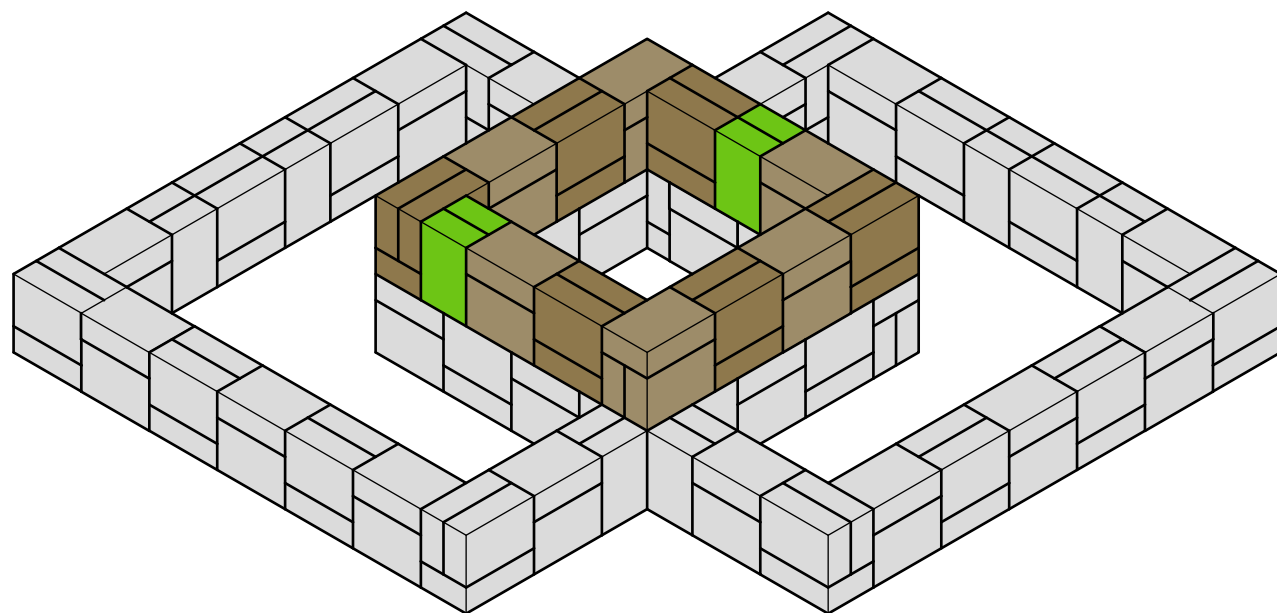
**RGB-112Q**

Raised Flower Garden

REVISIONS

	MM/DD/YY	REMARKS
1	06/04/15	2 SKU and QR update
2	--/--/--	...
3	--/--/--	...
4	--/--/--	...
5	--/--/--	...

**01**



When constructing your kit, be sure to keep all blocks level, square, and plumb. Use a four foot level and check often. Starting on a level foundation is key. When gluing blocks together, be sure not to use too much adhesive - this will cause the blocks to "swim." A small bead is ideal.

**ROMANSTONE**  
HARDSCAPES®

[www.buildwith.romanstone.com](http://www.buildwith.romanstone.com)

**BUILD WITH ROMAN™**

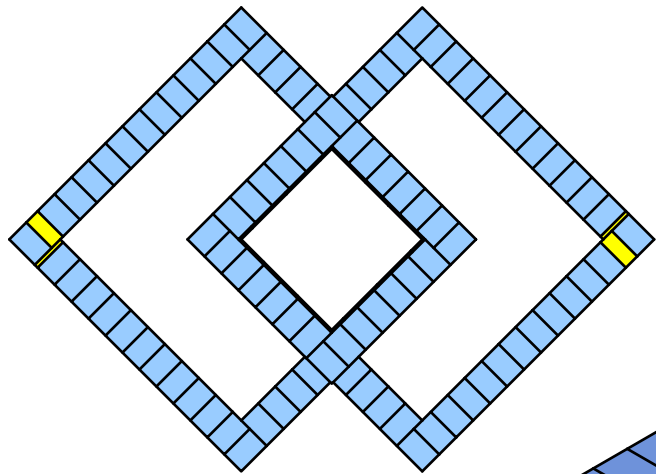
**RGB-112Q**

Raised Flower Garden

REVISIONS

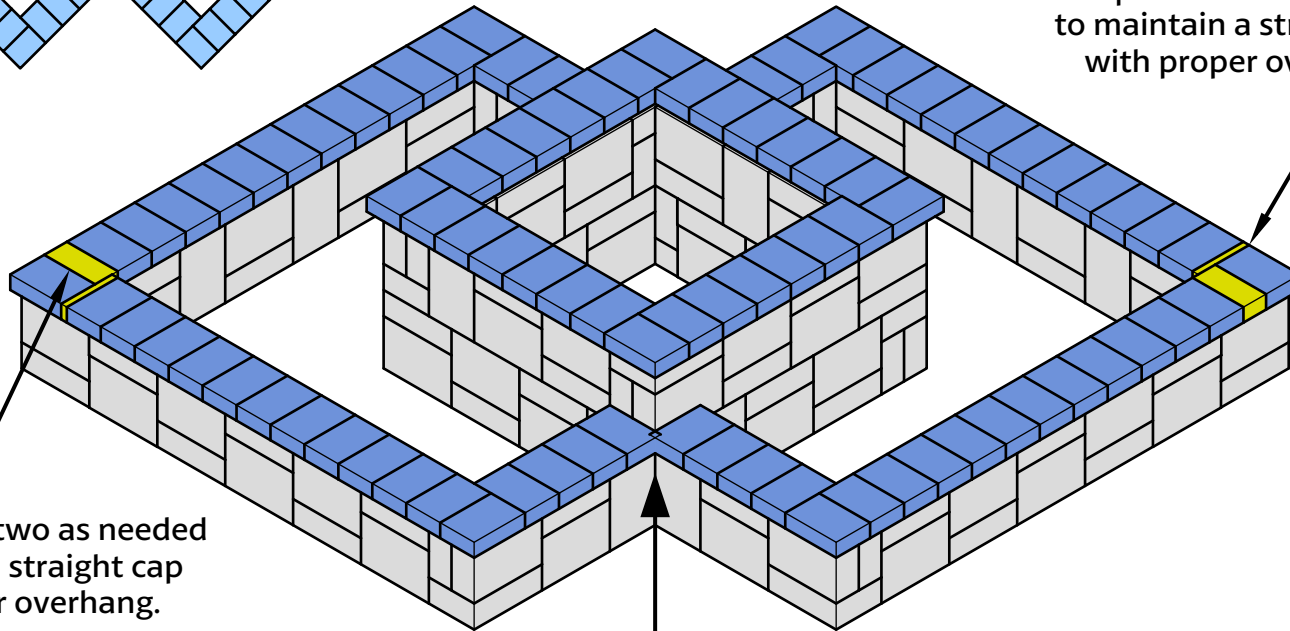
	MM/DD/YY	REMARKS
1	06/04/15	2 SKU and QR update
2	--/--/--	...
3	--/--/--	...
4	--/--/--	...
5	--/--/--	...

**02**



The cap stones are the trickiest part. Be sure to lay them out before gluing them. You will want to pay extra attention when installing the cap. Be sure to keep the sides straight, and the corners square.

Cut a paver or two as needed to maintain a straight cap with proper overhang.



Cut a paver or two as needed to maintain a straight cap with proper overhang.

Notice the inside corners. The corners of the two starting caps overlap. Just find four pavers with heavily tumbled corners. Use those four pavers for these inside starts. Otherwise, just chip the corner with a hammer.

When constructing your kit, be sure to keep all blocks level, square, and plumb. Use a four foot level and check often. Starting on a level foundation is key. When gluing blocks together, be sure not to use too much adhesive - this will cause the blocks to "swim." A small bead is ideal.



[www.buildwith.romanstone.com](http://www.buildwith.romanstone.com)

**BUILD WITH ROMAN™**

**RGB-112Q**

Raised Flower Garden

REVISIONS

	MM/DD/YY	REMARKS
1	06/04/15	2 SKU and QR update
2	--/--/--	...
3	--/--/--	...
4	--/--/--	...
5	--/--/--	...